

### Features

- Available with plain lever handles
- 7-1/16" (179 mm) nondiverter spout with slip-fit connection
- Metal construction

### Material

- KOHLER® finishes resist corrosion and tarnishing

### Installation

- Deck-mount

### Required Products/Accessories

K-300-K 1/2" ceramic high-flow valve system

or

K-300-KR 1/2" ceramic high-flow valve

or

K-301-K 3/4" high-flow bath valve

### Recommended Products/Accessories

K-23723 Faucet cleaner



ADA

CSA B651

OBC

### Codes/Standards

ASME A112.18.1/CSA B125.1

DOE - Energy Policy Act 1992

ADA

ICC/ANSI A117.1

CSA B651

OBC

IAPMO Certification

### KOHLER® Faucet Lifetime Limited Warranty

See website for detailed warranty information.

### Available Colors/Finishes

*Color tiles intended for reference only.*

Color	Code	Description
-------	------	-------------



CP Polished Chrome

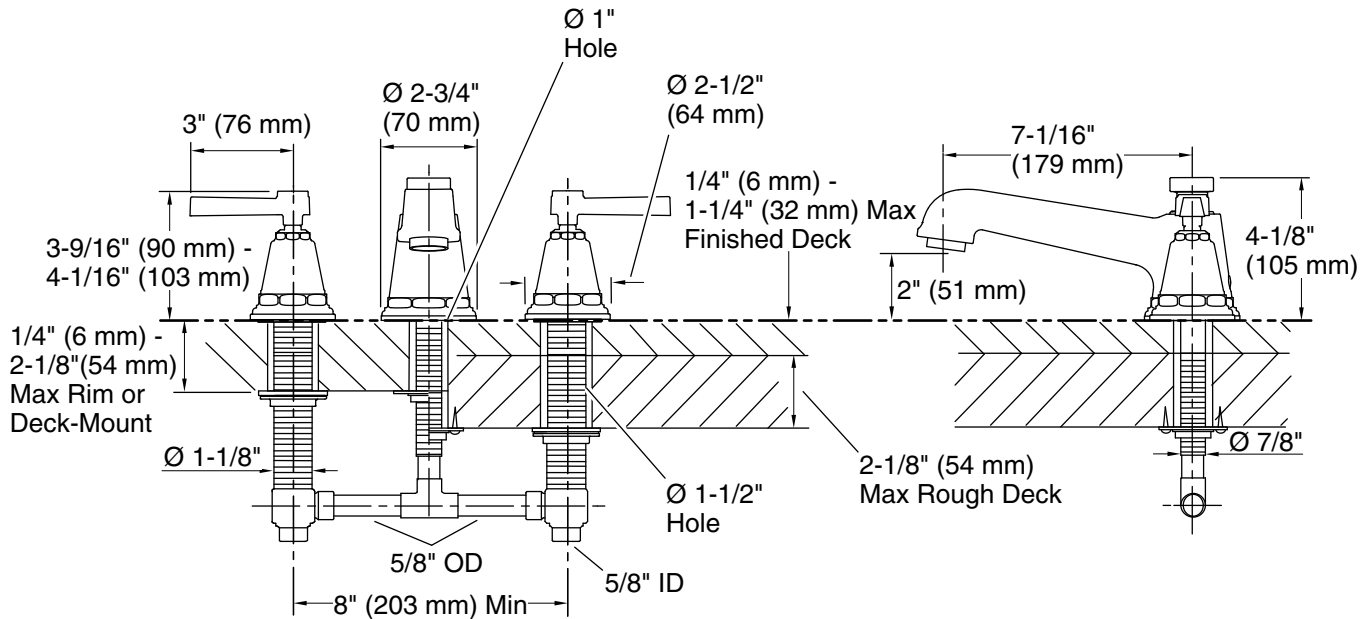


SN Vibrant® Polished Nickel



BN Vibrant® Brushed Nickel

\*Dimension allows +/- 1/4" (6 mm) handle adjustment during handle trim installation.



Rim or Deck-Mount  
Installation

Rough + Finished  
Deck-Mount Installation

### Technical Information

All product dimensions are nominal.

Drain included: No

### Spout:

Spout reach: 7-1/16" (179 mm)

### Notes

Install this product according to the installation instructions.

ADA, OBC, CSA B651 compliant when installed to the specific requirements of these regulations.