

# KOHLER® Faucets

Widespread wall-mount bathroom sink faucet trim with  
Lever handles, 1.2 gpm  
**K-T14415-4**

## Features

- Dual-control wall-mounted
- Lever handles
- Stationary spout
- Less drain
- 8-1/4" (210 mm) 35° spout from wall to center of drain
- 1.2 gpm (4.5 lpm) maximum flow rate at 60 psi (4.14 bar)

## Material

- Brass
- KOHLER® finishes resist corrosion and tarnishing

## Required Products/Accessories

[K-410-K](#) Wall-mount Valve

## Recommended Products/Accessories

K-23726 Drain treatment  
K-23723 Faucet cleaner  
K-14375 24" Double Towel Bar  
K-14377 Pivoting toilet paper holder  
K-14435 18" Towel Bar  
K-14436 24" Towel Bar  
K-14441 Towel Ring  
K-14443 Robe Hook  
K-14444 Vertical toilet paper holder

## Optional Products/Accessories

K-7107 Decorative Drain  
K-7108 Decorative Drain  
K-7114 Pop-Up Drain  
K-7127 Drain  
K-7129 Drain  
K-33151 Clicker drain without overflow



**ADA** **CSA B651** **OBC**

## Codes/Standards

ASME A112.18.1/CSA B125.1  
NSF/ANSI/CAN 61  
NSF/ANSI/CAN 372  
All applicable US Federal and State material regulations  
DOE - Energy Policy Act 1992  
EPA WaterSense®  
California Energy Commission (CEC)  
ADA  
ICC/ANSI A117.1  
CSA B651  
OBC  
IAPMO Certification

## KOHLER® Faucet Lifetime Limited Warranty

See website for detailed warranty information.

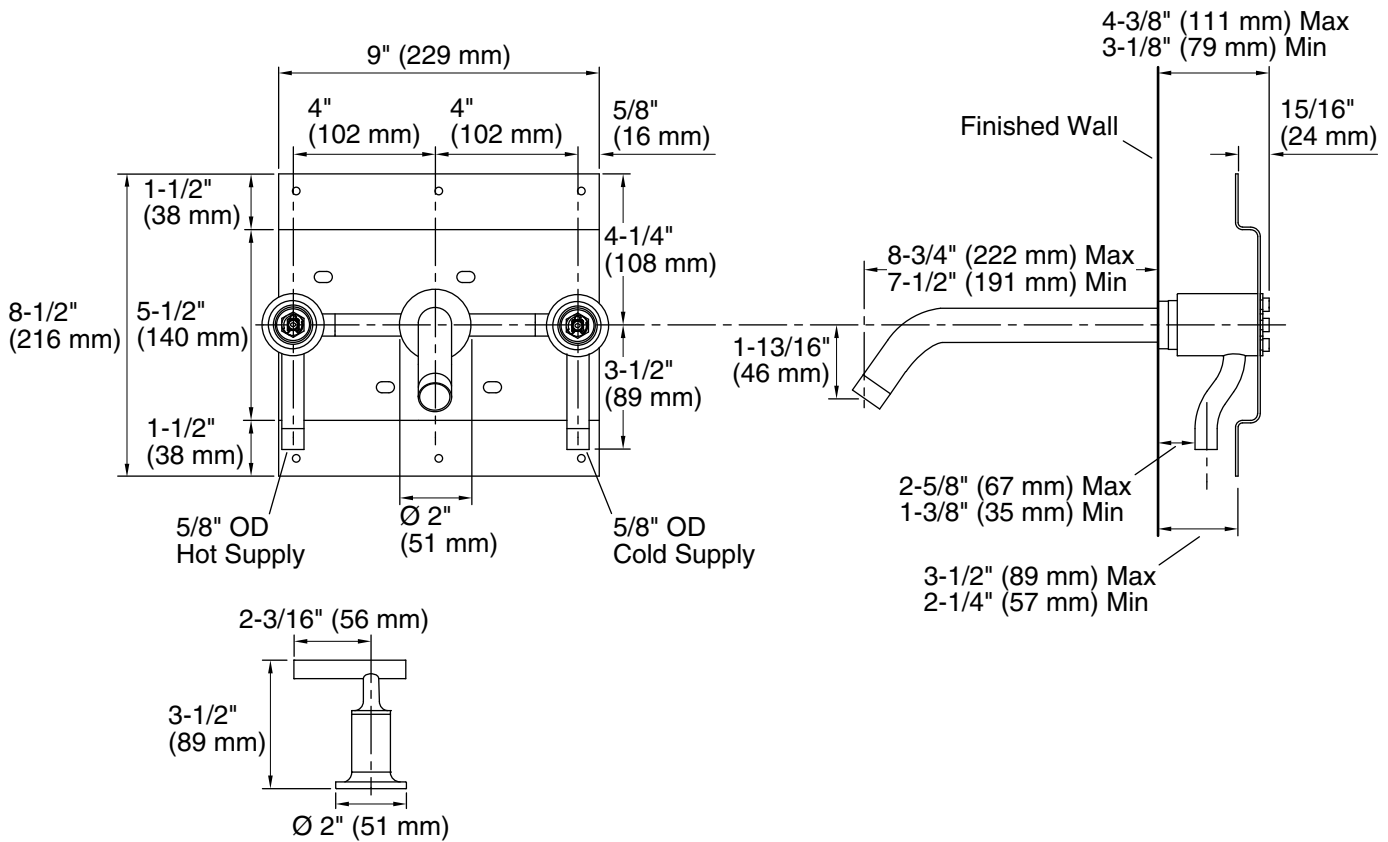
1-800-4KOHLER (1-800-456-4537)

Kohler Co. reserves the right to make revisions without notice to product specifications.

For the most current Specification Sheet, go to [www.kohler.com](http://www.kohler.com) USA or [www.kohler.ca](http://www.kohler.ca) Canada

7-12-2024 23:38 - US

THE BOLD LOOK  
OF **KOHLER®**



## Technical Information

All product dimensions are nominal.

### Faucet:

Flow rate: 1.2 gal/min (4.5 l/min)

Drain included: No

### Spout:

Spout reach: 8-3/4" (222 mm)

## Notes

Install this product according to the installation guide.

The distance between the bottom of spout and top of the fixture rim must not be less than 1-1/2" (38 mm) and not greater than 6" (152 mm).

Three 1-1/2" (38 mm) diameter cutout holes are required for spout and handles.

ADA compliant for handles only.

ADA, OBC, CSA B651 compliant when installed to the specific requirements of these regulations.