

### Features

- Reversible 1/2" quarter-turn washerless ceramic disc valves
- Lever handles
- Metal construction

### Required Products/Accessories

K-302-K 1/2" Ceramic In-Wall Valve System

### Recommended Products/Accessories

K-23723 Faucet cleaner

### Optional Products/Accessories

56373 Deep Rough-in Kit



ADA

CSA B651

OBC

### Codes/Standards

ASME A112.18.1/CSA B125.1

ADA

ICC/ANSI A117.1

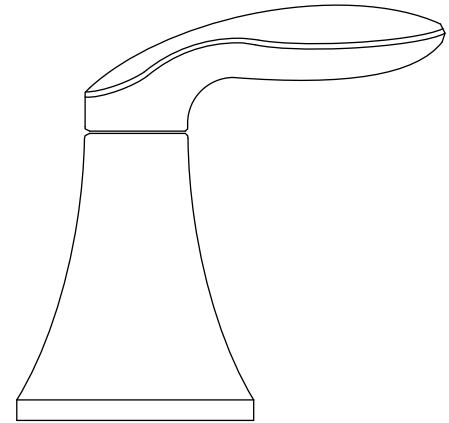
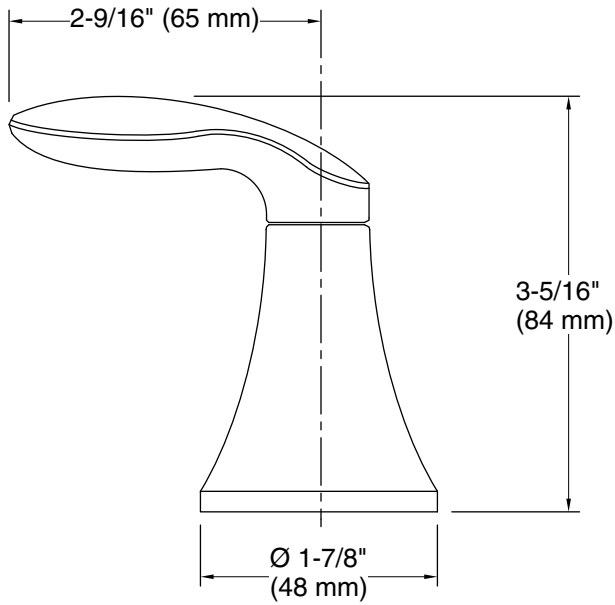
CSA B651

OBC

IAPMO Certification

### KOHLER® Faucet Lifetime Limited Warranty

See website for detailed warranty information.



## Technical Information

All product dimensions are nominal.

### Handshower:

Rated maximum flow: 0 gal/min (0 l/min)

## Notes

Install this product according to the installation instructions.

ADA, OBC, CSA B651 compliant when installed to the specific requirements of these regulations.