

### Features

- Single lever handle allows for both on/off activation and temperature setting
- KOHLER® ceramic disc valves exceed industry longevity standards for a lifetime of durable performance
- 8.5 gpm maximum flow rate (32 l/min) @ 45 psi
- 1.75 gpm (6.6 lpm) handshower flow rate
- 10-3/16" (259 mm) spout reach
- 35-3/4" (908 mm) maximum spout height
- Includes Shift® handshower and 60" shower hose
- Coordinates with Tempered™ faucets, accessories, and showering components to complete your bathroom

### Material

- Premium metal construction for durability and reliability
- KOHLER finishes resist corrosion and tarnishing

### Installation

- Floor-mount
- Compatibility with bathtub varies by application

### Required Products/Accessories

K-97339 Mounting block for select floor-mount bath fillers

### Adapters, Rough-in and Extension Kits

97339 Range: 2-1/4" (57 mm) -  
3-1/16" (78 mm)

### Recommended Products/Accessories

K-21952 18" Towel Bar  
K-21954 Toilet paper holder  
K-21955 Towel Ring  
K-21956 Robe Hook



### Codes/Standards



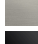


ASME A112.18.1/CSA B125.1  
DOE - Energy Policy Act 1992  
EPA WaterSense®  
California Energy Commission (CEC)

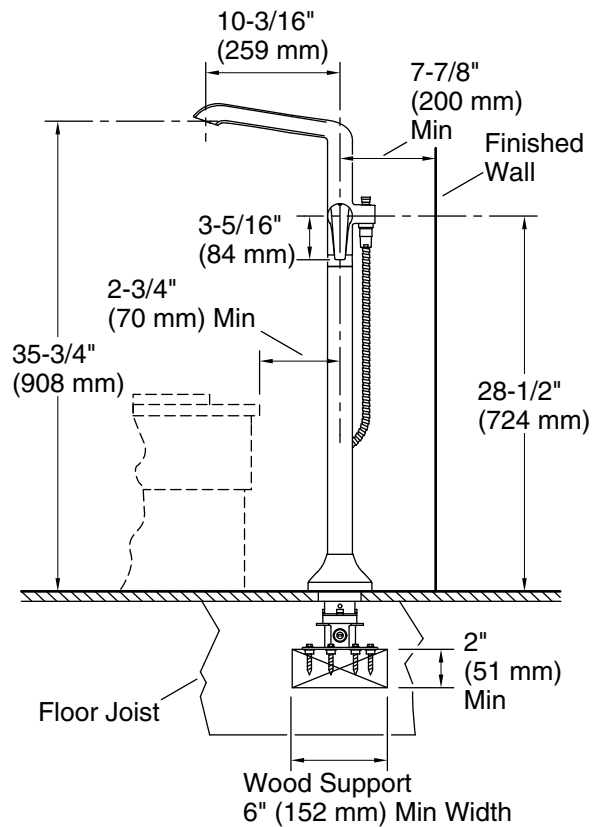
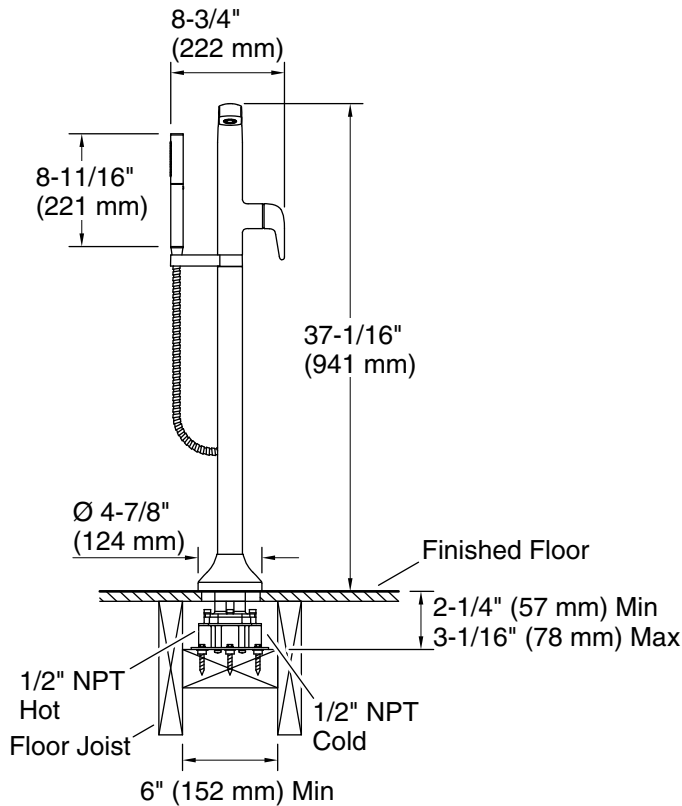
### KOHLER® Faucet Lifetime Limited Warranty

See website for detailed warranty information.

### Available Colors/Finishes

*Color tiles intended for reference only.*

Color	Code	Description
	CP	Polished Chrome
	SN	Vibrant® Polished Nickel
	BN	Vibrant® Brushed Nickel
	BL	Matte Black
	2MB	Vibrant® Brushed Moderne Brass



### Technical Information

All product dimensions are nominal.

Faucet flow rate: 8.5 gal/min (32.2 l/min)

### Spout:

Spout reach: 10-3/16" (259 mm)

Handshower rated max flow: 1.75 gal/min (6.6 l/min)

### Notes

Install this product according to the installation instructions.

Adequate floor space is required. The wood support must be a minimum of 2" (51 mm) thick by 6" (152 mm) wide. 2x6 lumber is NOT adequate for this application.

Concrete can be used as the floor support. Requires a 3/16" masonry drill bit and six 1/4" x 1-3/4" concrete screws, which are not included.