

Features

- Two Lever handles offer separate control of hot and cold water
- 8-5/8" (219 mm) spout reach
- 1.2 gpm (4.5 lpm) maximum flow rate at 60 psi (4.14 bar)
- Fluid design lines for ease of cleaning
- Coordinates with other products in the Parallel collection

Material

- Solid-brass construction for durability and reliability
- KOHLER® finishes resist corrosion and tarnishing

Installation

- Wall-mount

Required Products/Accessories

For wall-mount installation

K-410-K Wall-mount Valve

Recommended Products/Accessories

K-23726 Drain treatment
 K-23723 Faucet cleaner
 K-21897 Double toilet paper holder
 K-23524 18" towel bar
 K-23525 24" towel bar
 K-23526 Towel arm
 K-23527 Vertical toilet paper holder
 K-23528 Pivoting toilet paper holder
 K-23529 Robe hook

Optional Products/Accessories

K-7107 Decorative Drain
 K-7108 Decorative Drain
 K-7129 Drain
 K-7129-A Bathroom sink grid drain with overflow
 K-33151 Clicker drain without overflow
 K-25322 Clicker drain with overflow



ADA **CSA B651** **OBC**

Codes/Standards




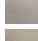

ASME A112.18.1/CSA B125.1
 NSF/ANSI/CAN 61
 NSF/ANSI/CAN 372
 All applicable US Federal and State material regulations
 DOE - Energy Policy Act 1992
 EPA WaterSense®
 California Energy Commission (CEC)
 ADA
 ICC/ANSI A117.1
 CSA B651
 OBC
 IAPMO Certification

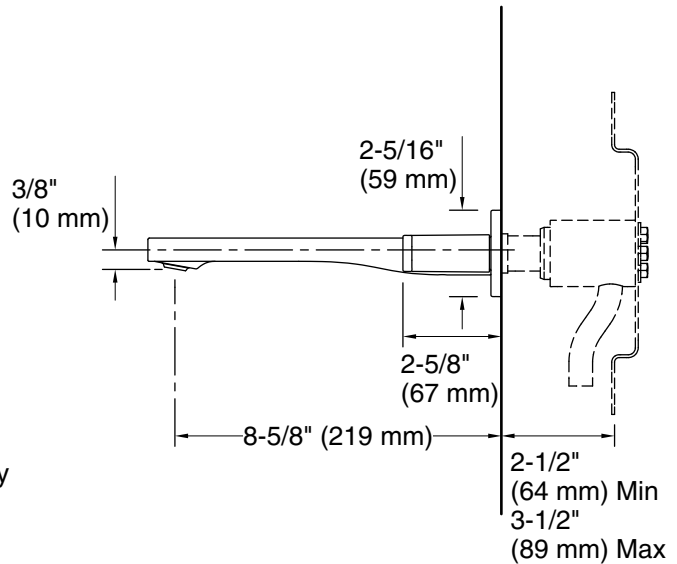
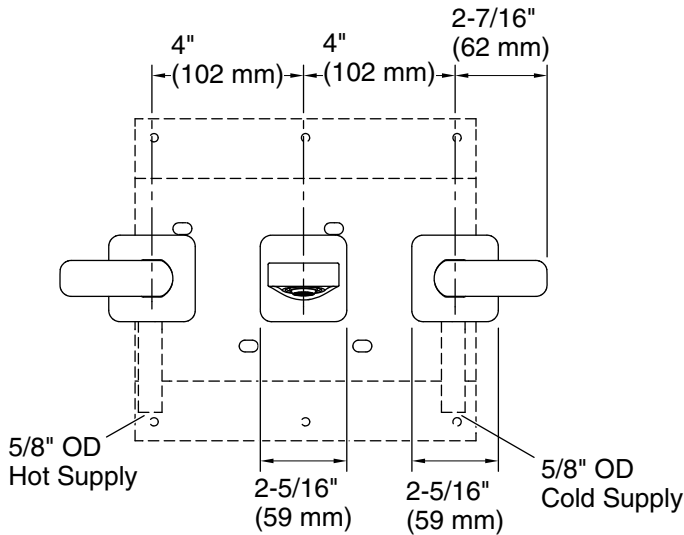
KOHLER® Faucet Lifetime Limited Warranty

See website for detailed warranty information.

Available Colors/Finishes

Color tiles intended for reference only.

Color	Code	Description
	CP	Polished Chrome
	SN	Vibrant® Polished Nickel
	AF	Vibrant® French Gold
	BN	Vibrant® Brushed Nickel
	BV	Vibrant® Brushed Bronze



Technical Information

All product dimensions are nominal.

Faucet:

Flow rate: 1.2 gal/min (4.5 l/min)

Drain included: No

Drain with overflow: Yes

Spout:

Spout reach: 8-5/8" (219 mm)

Handshower:

Rated maximum flow: 0 gal/min (0 l/min)

Notes

Install this product according to the installation instructions.

ADA, OBC, CSA B651 compliant when installed to the specific requirements of these regulations.