

### Features

- Single lever handle allows control of up to three separate components to six different output options
- Coordinates with other products in the Archer collection

### Material

- Premium metal construction for durability and reliability
- KOHLER finishes resist corrosion and tarnishing

### Installation

- Patented K-joint installation technology ensures consistent trim appearance, regardless of variability in valve rough-in (included with trim)
- Trim only; requires K-728-K or K-737-K diverter valve (sold separately)

### Required Products/Accessories

K-737-K 3/4" Two- or Three-Way Diverter Valve

or

K-728-K 3/4" two- or three-way transfer valve

### Recommended Products/Accessories

K-23723 Faucet cleaner



ADA

CSA B651

OBC

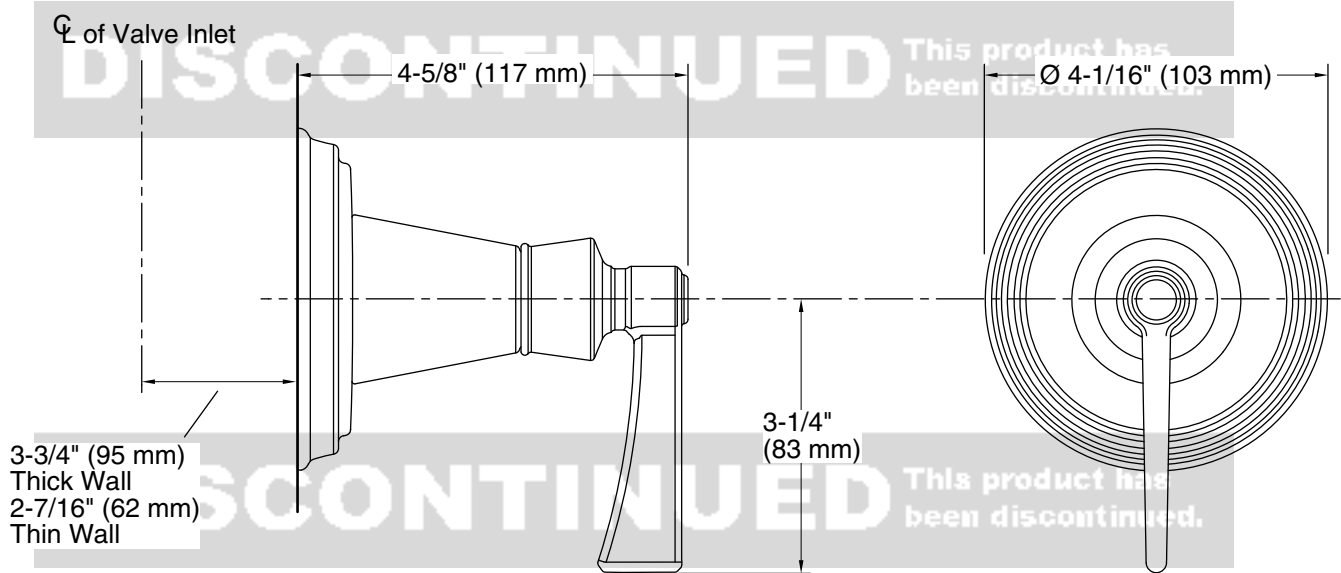
### Codes/Standards

ASME A112.18.1/CSA B125.1  
ADA  
ICC/ANSI A117.1  
CSA B651  
OBC

### KOHLER® Faucet Lifetime Limited Warranty

See website for detailed warranty information.

**DISCONTINUED** This product has been discontinued.



**Technical Information**

All product dimensions are nominal.

**Notes**

Install this product according to the installation instructions.

ADA, OBC, CSA B651 compliant when installed to the specific requirements of these regulations.