

### Features

- Metal construction
- Adjustable handshower sprayface rotates to select wide coverage or forceful utility spray
- MasterClean™ sprayface features an easy-to-clean surface that withstands mineral buildup and maximizes spray performance
- Complete range of faucets, accessories and showering components to coordinate a full bathroom

### Material

- KOHLER® finishes resist corrosion and tarnishing

### Required Products/Accessories

K-97339 Mounting block for select floor-mount bath fillers

### Recommended Products/Accessories

K-23723 Faucet cleaner  
 K-73141 18" Towel Bar  
 K-73142 24" Towel Bar  
 K-73144 24" Double Towel Bar  
 K-73145 towel arm  
 K-73146 Double Robe Hook  
 K-73147 Pivoting toilet paper holder  
 K-73148 Vertical toilet paper holder



### Codes/Standards


ASME A112.18.1/CSA B125.1  
 DOE - Energy Policy Act 1992  
 EPA WaterSense®  
 California Energy Commission (CEC)  
 IAPMO Certification

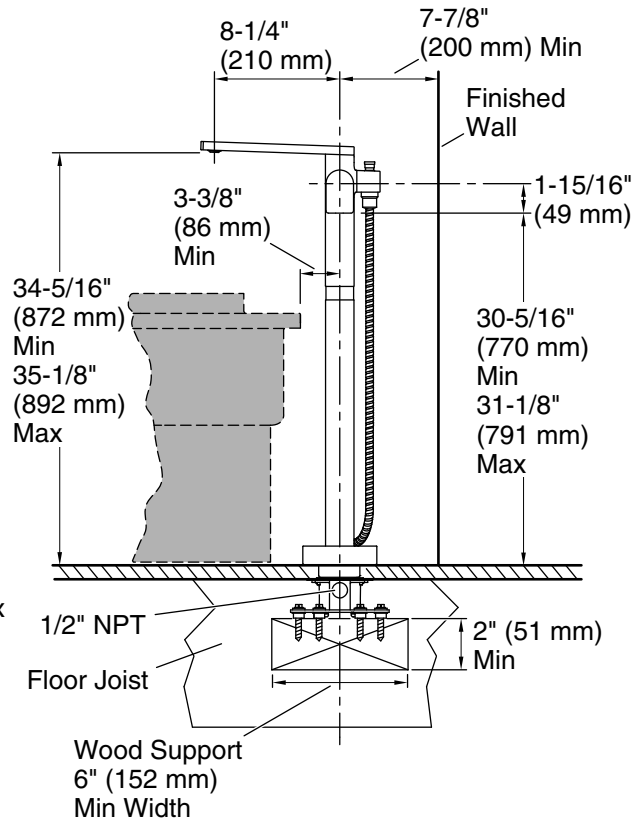
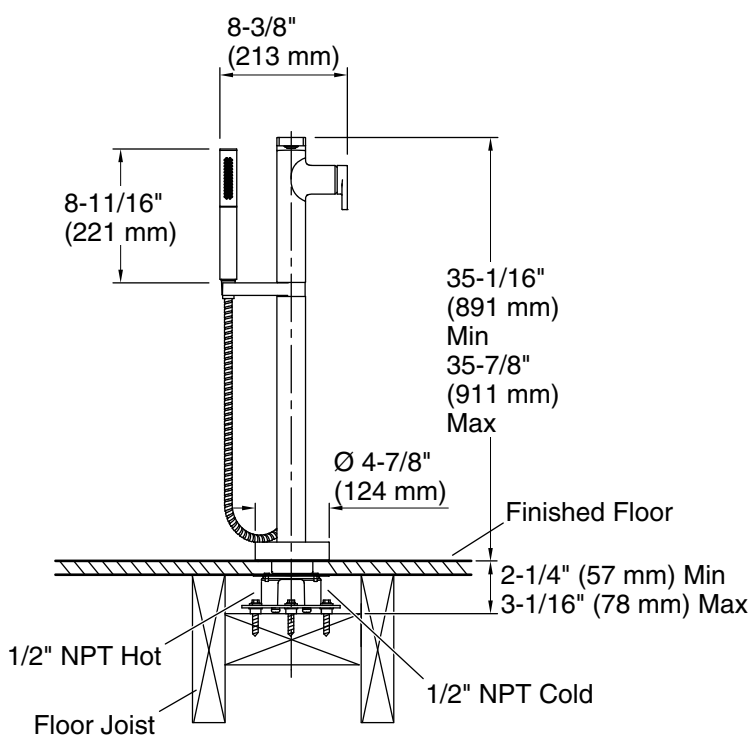
### KOHLER® Faucet Lifetime Limited Warranty

See website for detailed warranty information.

### Available Colors/Finishes

*Color tiles intended for reference only.*

Color	Code	Description
	CP	Polished Chrome
	SN	Vibrant® Polished Nickel
	AF	Vibrant® French Gold
	BN	Vibrant® Brushed Nickel
	BV	Vibrant® Brushed Bronze
	BL	Matte Black
	2MB	Vibrant® Brushed Moderne Brass
	TT	Vibrant Titanium



### Technical Information

All product dimensions are nominal.

#### Faucet:

Flow rate: 7.5 gal/min (28.4 l/min)

Drain included: No

#### Spout:

Spout reach: 8-1/4" (210 mm)

#### Handshower:

Rated maximum flow: 1.75 gal/min (6.6 l/min)

### Notes

For use with automatic compensating valves rated at 1.3 gal/min (4.9 l/min) or less.

Install this product according to the installation guide.

Adequate floor space is required. The wood support must be a minimum of 2" (51 mm) thick by 6" (152 mm) wide. 2x6 lumber is NOT adequate for this application.

Concrete can be used as the floor support.

Requires a 3/16" masonry drill bit and six 1/4" x 1-3/4" concrete screws, which are not included.