

Features

- Single lever handle allows for both on/off activation and temperature setting
- Includes Artifacts® single-function handshower and a 60" (1524 mm) hose
- KOHLER® ceramic disc valves exceed industry longevity standards for a lifetime of durable performance
- 6 gpm (gallons per minute) at 45 PSI
- 1.75 gpm (6.6 lpm) handshower flow rate
- Coordinates with Kelston faucets, accessories, and showering components to complete your bathroom
- Requires K-97339 mounting-block (sold separately)

Material

- Premium metal construction for durability and reliability
- KOHLER® finishes resist corrosion and tarnishing

Installation

- Floor-mount
- Compatibility with bathtub varies by application

Required Products/Accessories

K-97339 Mounting block for select floor-mount bath fillers

Recommended Products/Accessories

K-23723 Faucet cleaner

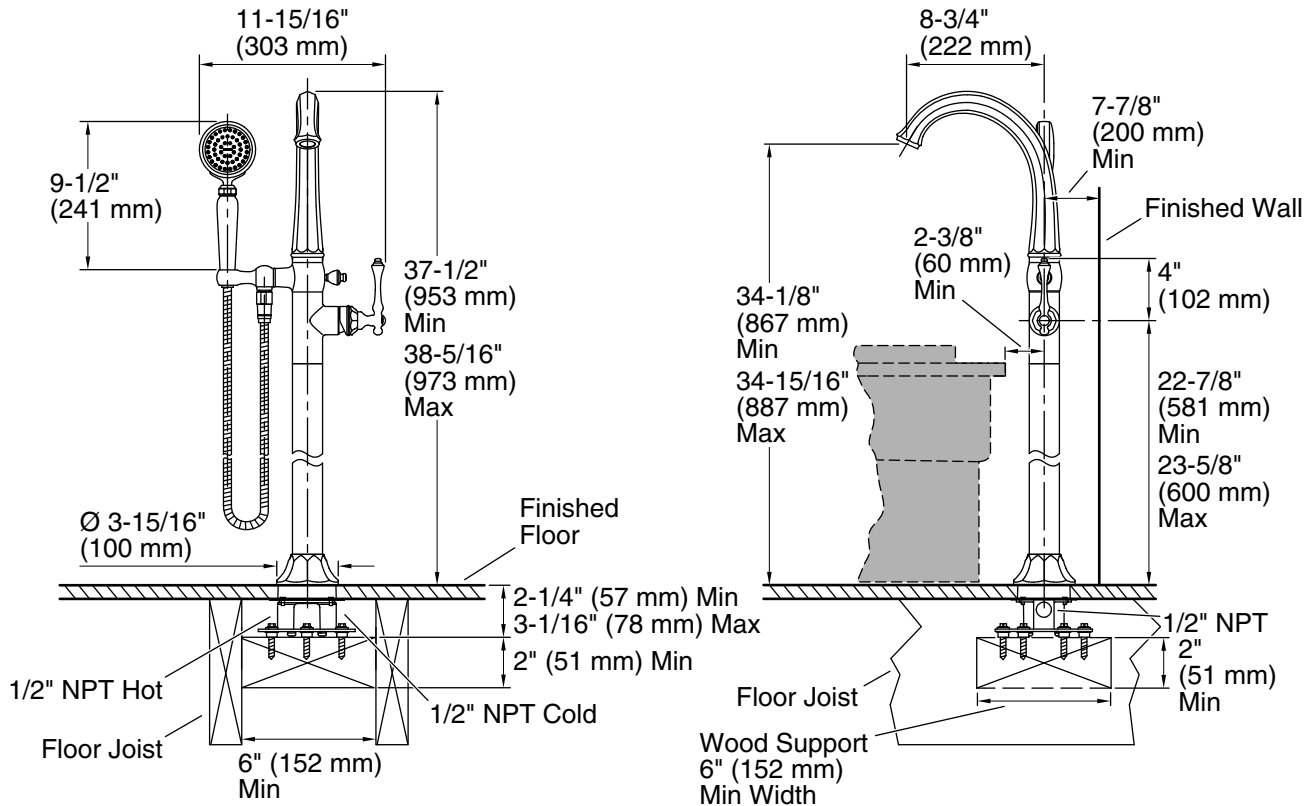


Codes/Standards

ASME A112.18.1/CSA B125.1
DOE - Energy Policy Act 1992
EPA WaterSense®
California Energy Commission (CEC)
IAPMO Certification

KOHLER® Faucet Lifetime Limited Warranty

See website for detailed warranty information.



Technical Information

All product dimensions are nominal.

Faucet:

Flow rate: 6 gal/min (22.7 l/min)

Drain included: No

Spout:

Spout reach: 8-13/16" (224 mm)

Handshower:

Rated maximum flow: 1.75 gal/min (6.6 l/min)

Notes

Install this product according to the installation guide.

Adequate floor support is required. The wood support must be a minimum of 2" (51 mm) thick by 6" (152 mm) wide. 2x6 lumber is NOT adequate for this application.

Concrete can be used as the floor support. Requires 3/16" masonry drill bit and six 1/4" x 1-3/4" concrete screws, not included.