

### Features

- Includes lever handle, single-function showerhead, shower arm and flange, valve trim, and nondiverter bathtub spout with NPT or slip-fit connection
- Single lever handle allows for both on/off activation and temperature setting
- Rite-Temp® pressure-balancing technology maintains water temperature within +/- 3°F
- Integrated push-button diverter
- 1.75 gpm (6.6 lpm) showerhead with Katalyst® air-induction technology

### Material

- Premium material construction for durability and reliability
- KOHLER® finishes resist corrosion and tarnishing

### Installation

- Trim only; requires K-11748-K or K-11748-KS Rite-Temp pressure-balancing valve (sold separately)

### Required Products/Accessories

K-11748 Series Rite-Temp® Valves

### Adapters, Rough-in and Extension Kits

1226074-\*

Range: 3-1/2" (89 mm) -  
4-1/4" (108 mm)



### Codes/Standards

ASME A112.18.1/CSA B125.1  
DOE - Energy Policy Act 1992  
EPA WaterSense®  
California Energy Commission (CEC)  
IAPMO Certification

### KOHLER® Faucet Lifetime Limited Warranty

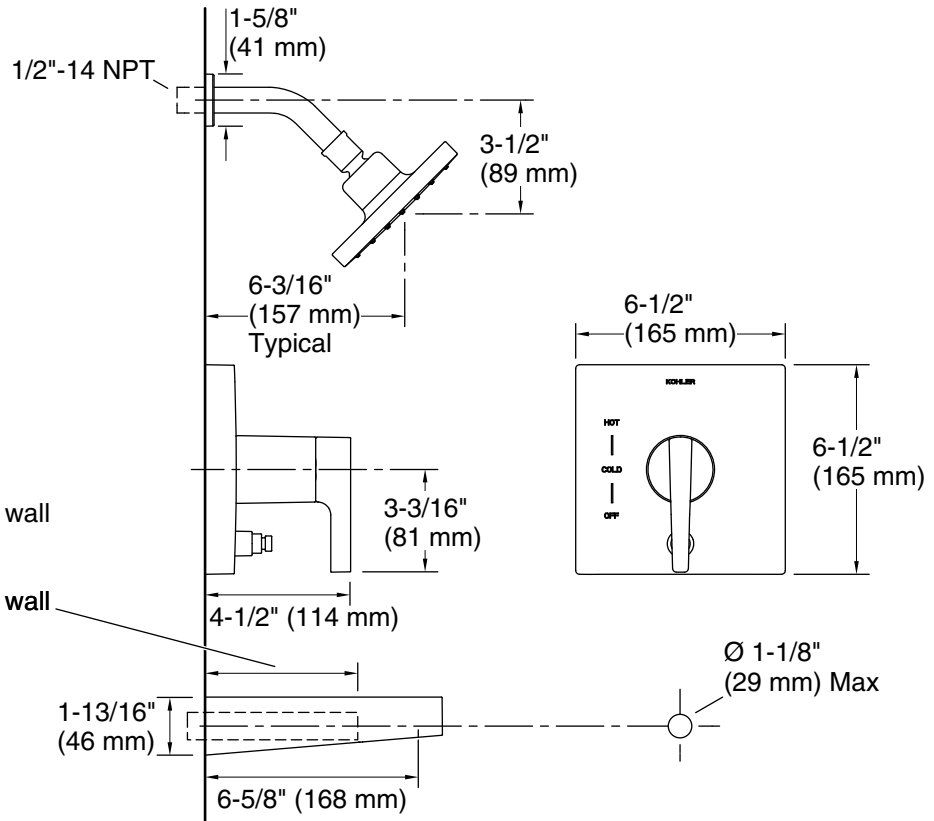
See website for detailed warranty information.

### Available Colors/Finishes

*Color tiles intended for reference only.*

Color	Code	Description
	CP	Polished Chrome
	BN	Vibrant® Brushed Nickel
	BL	Matte Black
	2MB	Vibrant® Brushed Moderne Brass

**Slip-fit Spout:**  
 Extend 5/8" OD Tube  
 5-9/16" (141 mm) from finished wall  
**Threaded Spout:**  
 Extend 5/8" OD Tube  
 5-9/16" (141 mm) from finished wall



**Technical Information**

All product dimensions are nominal.

Drain included: No

**Spout:**

Spout reach: 6-5/8" (168 mm)

**Handshower:**

Rated maximum flow: 0 gal/min (0 l/min)

**Showerhead/Body Spray:**

Rated maximum flow: 1.75 gal/min (6.6 l/min)

**Notes**

For use with automatic compensating valves rated at 1.6 gal/min (6.1 l/min) or less.

Install this product according to the installation instructions.

Install straight pipe or tube drop of 7" (178 mm) to 18" (457 mm) with single elbow between the valve and the wall-mount spout.