

### Features

- Designed in collaboration with Studio McGee
- A single handle controls both on/off activation and temperature setting
- 6-3/4" (171 mm) diverter bath spout with slip-fit connection
- Includes shower arm and flange
- Coordinates with other products in the Castia collection
- Requires valve (sold separately)

### Material

- Premium material construction with metal handle ensures reliability and durability
- KOHLER® finishes resist corrosion and tarnishing

### Required Products/Accessories

K-8304 Series Rite-Temp® Valve & Cartridge Kits

or

K-8300 Series Rite-Temp® Valve Body Rough-ins

K-8305 Series Rite-Temp® Cartridges

### Recommended Products/Accessories

K-23723 Faucet cleaner

### Optional Products/Accessories

K-10350 Deep rough-in kit

K-10351 Test cap for K-8300 Series valve bodies



### Codes/Standards

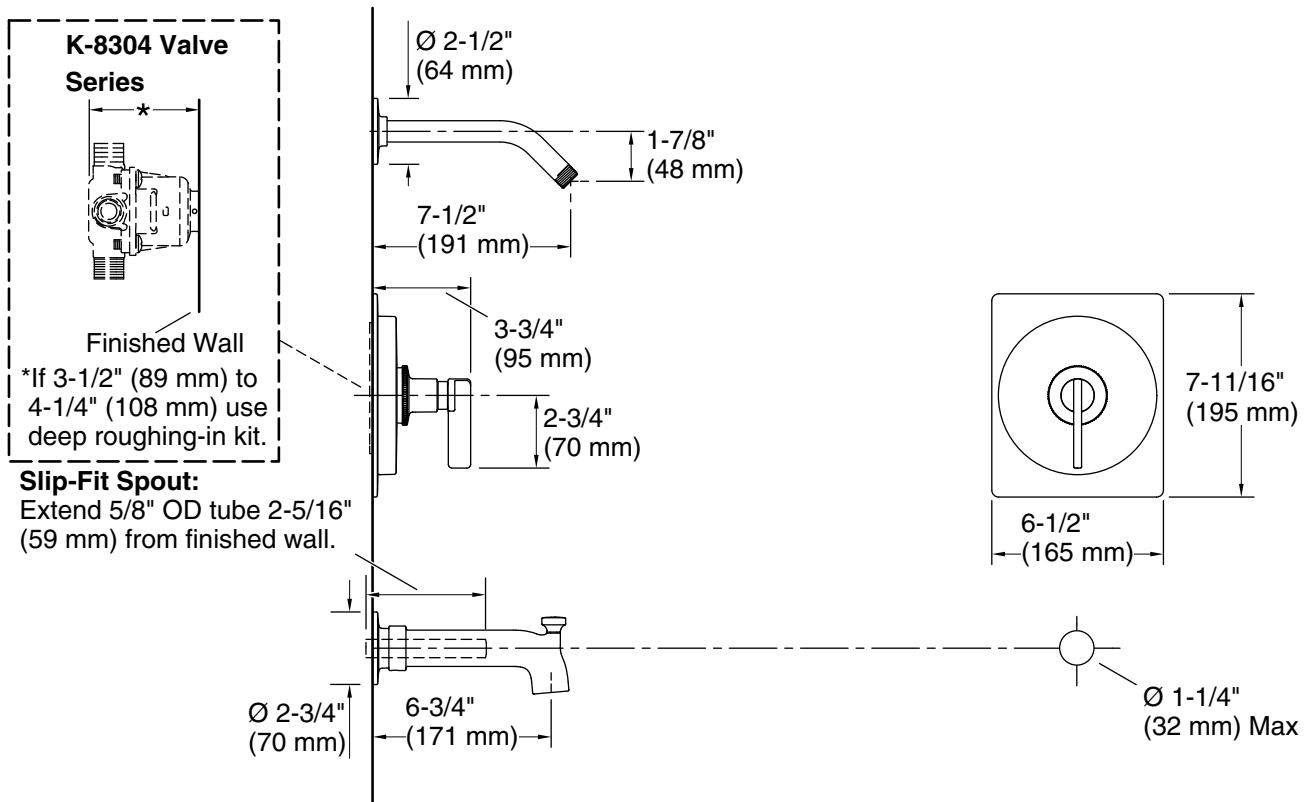
ASME A112.18.1/CSA B125.1

California Energy Commission (CEC)

IAPMO Certification

### KOHLER® Faucet Lifetime Limited Warranty

See website for detailed warranty information.



### Technical Information

All product dimensions are nominal.

Drain included: No

### Spout:

Spout reach: 6-3/4" (171 mm)

### Handshower:

Rated maximum flow: 0 gal/min (0 l/min)

### Notes

Install this product according to the installation instructions.