

### Features

- Includes faceplate with handle, bath spout, shower arm and flange
- A single handle controls both on/off activation and temperature setting
- Includes diverter bath spout with 1/2" copper slip-fit connection
- For use with any KOHLER showerhead (sold separately)
- Complements Devonshire faucets and accessories

### Material

- Premium material construction with metal handle ensures reliability and durability
- KOHLER® finishes resist corrosion and tarnishing

### Installation

- Trim only; requires valve to complete installation (sold separately)

### Required Products/Accessories

K-8304 Series Rite-Temp® Valve & Cartridge Kits

or

K-8300 Series Rite-Temp® Valve Body Rough-ins

K-8305 Series Rite-Temp® Cartridges

### Adapters, Rough-in and Extension Kits

GP1030932	Range: 3-1/2" (89 mm) - 4-1/4" (108 mm)
88526	Range: 2-1/4" (57 mm) - 2-3/4" (70 mm)
10350	Range: 3-1/2" (89 mm) - 4-1/4" (108 mm)

### Recommended Products/Accessories

K-23723 Faucet cleaner

### Optional Products/Accessories

K-10351 Test cap for K-8300 Series valve bodies



### Codes/Standards

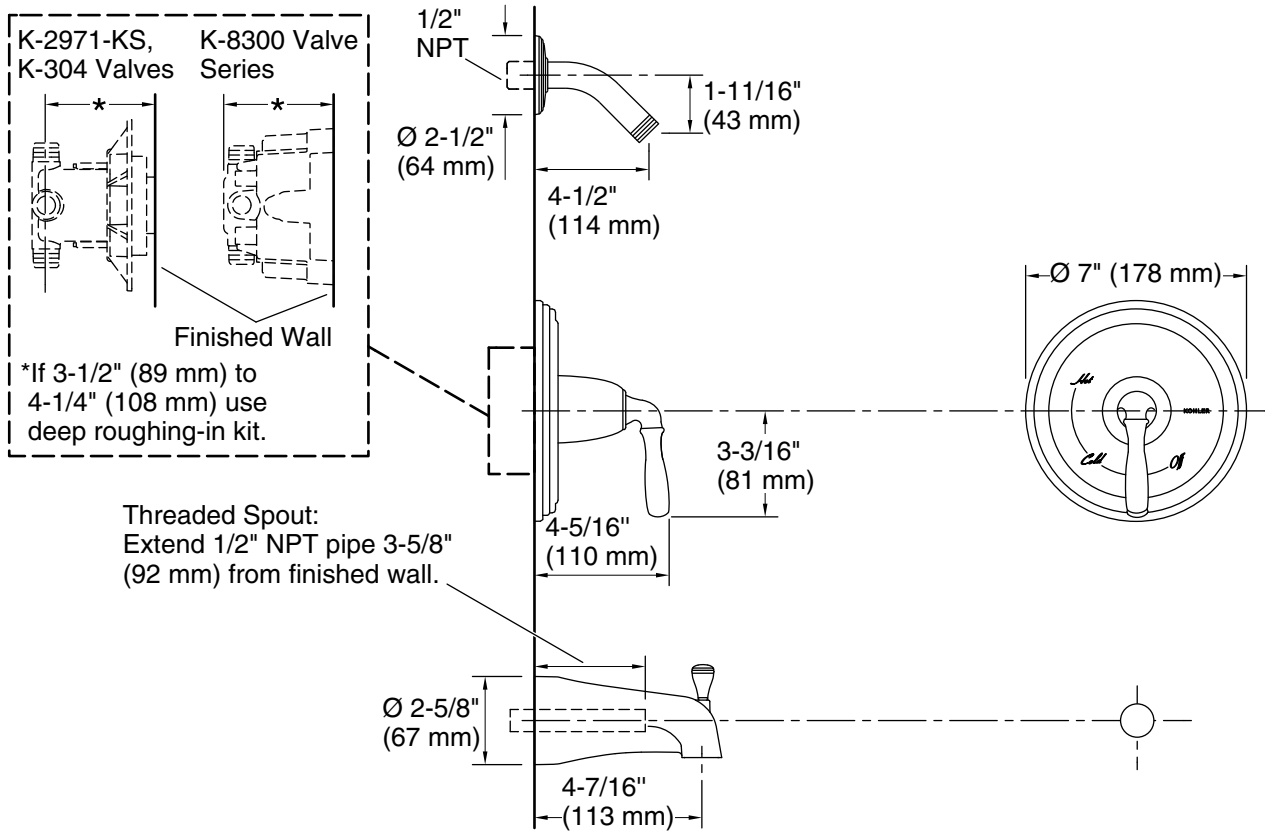
ASME A112.18.1/CSA B125.1

California Energy Commission (CEC)

IAPMO Certification

### KOHLER® Faucet Lifetime Limited Warranty

See website for detailed warranty information.



### Technical Information

All product dimensions are nominal.

Drain included: No

### Spout:

Spout reach: 4-7/16" (113 mm)

### Handshower:

Rated maximum flow: 0 gal/min (0 l/min)

### Notes

Install the product according to the installation guide.

**NOTICE:** Risk of product damage. Long screws for installing trim can damage the K-2971-KS valve. Consult the trim installation guide to verify if the thin wall installation kit (88526) is needed.

Install straight pipe or tube drop of 7" (178 mm) to 18" (457 mm) with single elbow between the valve and the wall-mount spout. Elbow must be a 90 degree drop ell that is secured to rigid framing.