

### Features

- Includes faceplate with handle
- A single handle controls both on/off activation and temperature setting
- Cross handle
- Complements Pinstripe faucets and accessories

### Material

- Premium material construction with metal handle ensures reliability and durability
- KOHLER® finishes resist corrosion and tarnishing

### Installation

- Trim only; requires valve to complete installation (sold separately)

### Required Products/Accessories

K-8304 Series Rite-Temp® Valve & Cartridge Kits

or

K-8300 Series Rite-Temp® Valve Body Rough-ins

K-8305 Series Rite-Temp® Cartridges

### Recommended Products/Accessories

K-23723 Faucet cleaner

### Optional Products/Accessories

K-10350 Deep rough-in kit

K-10351 Test cap for K-8300 Series valve bodies



ADA

CSA B651

### Codes/Standards

ASME A112.18.1/CSA B125.1

ADA

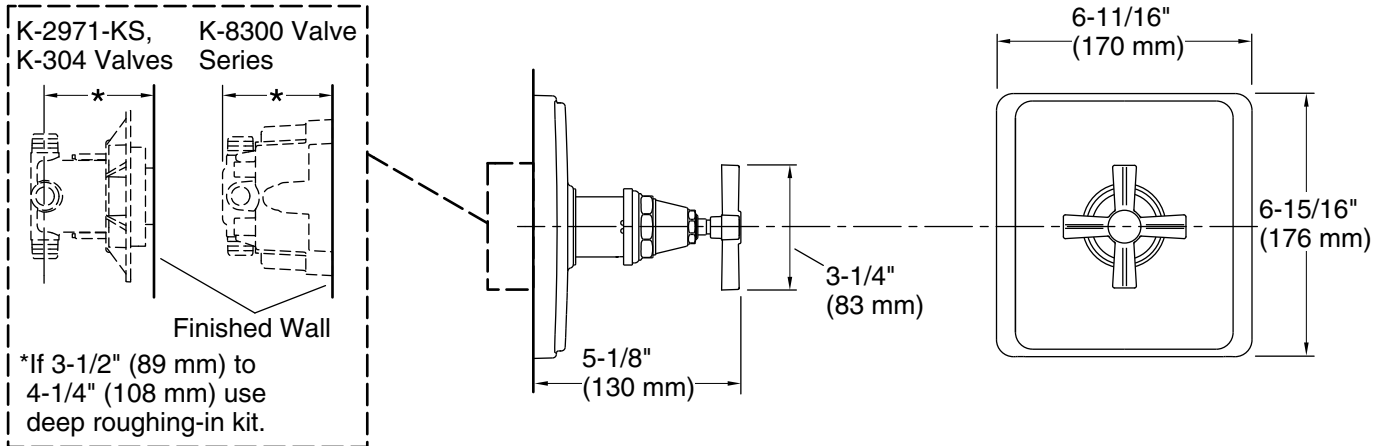
ICC/ANSI A117.1

CSA B651

IAPMO Certification

### KOHLER® Faucet Lifetime Limited Warranty

See website for detailed warranty information.



### Technical Information

All product dimensions are nominal.

### Notes

Install the product according to the installation guide.

**NOTICE:** Risk of product damage. Long screws for installing trim can damage the K-2971-KS valve. Consult the trim installation guide to verify if the thin wall installation kit (88526) is needed.

ADA, CSA B651 compliant when installed to the specific requirements of these regulations.