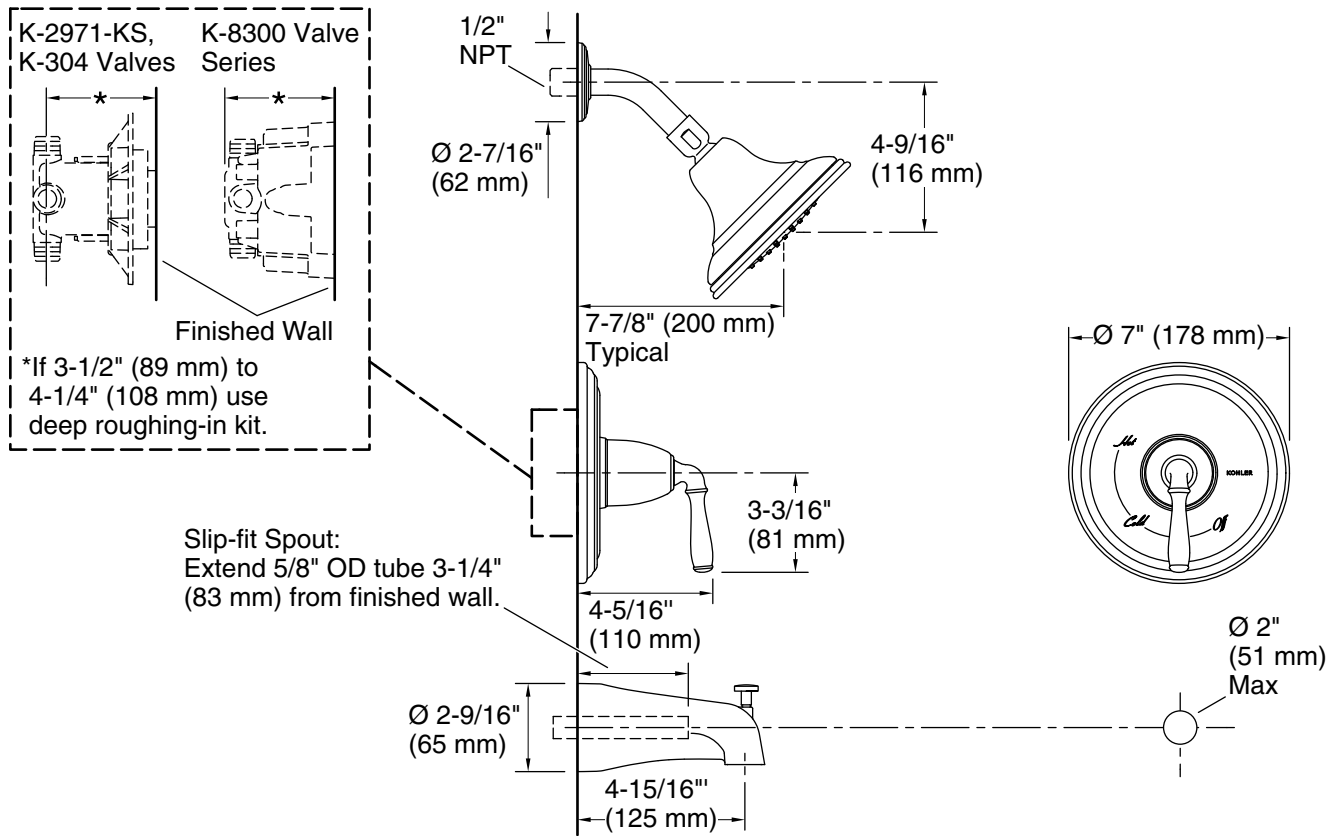


KOHLER Faucets Rite-Temp® bath and shower trim kit, 1.75 gpm, slip-fit spout

Devonshire®

K-TS395-4SG



Technical Information

All product dimensions are nominal.

Drain included: No

Spout:

Spout reach: 4-7/16" (113 mm)

Handshower:

Rated maximum flow: 0 gal/min (0 l/min)

Showerhead/Body Spray:

Rated maximum flow: 1.75 gal/min (6.6 l/min)

Notes

For use with automatic compensating valves rated at 1.4 gal/min (5.3 l/min) or less.

Install this product according to the installation instructions.

Install straight pipe or tube drop of 7" (178 mm) to 18" (457 mm) with single elbow between the valve and the wall-mount spout.

NOTICE: Risk of product damage. Long screws, for installing trim, can damage the K-2971-KS valve. Consult the trim installation guide to verify if the thin wall installation kit is needed.