

KALLISTA®

Soltiere® by Mick De Giulio Stainless Steel Kitchen Sink with Standard Accessories L20306-00

Features

- A selection of products within this collection is in stock and ready to ship. Please visit kallista.com/resources/#ReadyToShip for the complete list of Ready-to-Ship products and finishes
- Constructed of 16-gauge stainless steel material
- Includes flatware tray and teak cutting board
- Innovative corner drain maximizes sink and storage space under the cabinet
- 33" (838 mm) total length
- 18" (457 mm) total width
- 10-3/4" (273 mm) total depth



Recommended Products/Accessories

P23174-LV Semi-Professional Faucet
P23174-2MB Semi-Professional Faucet
P25516-00 Pull-Down Kitchen Faucet
P25202-LV Deck-Mount Bridge Kitchen Faucet, Lever
Handles

Codes/Standards

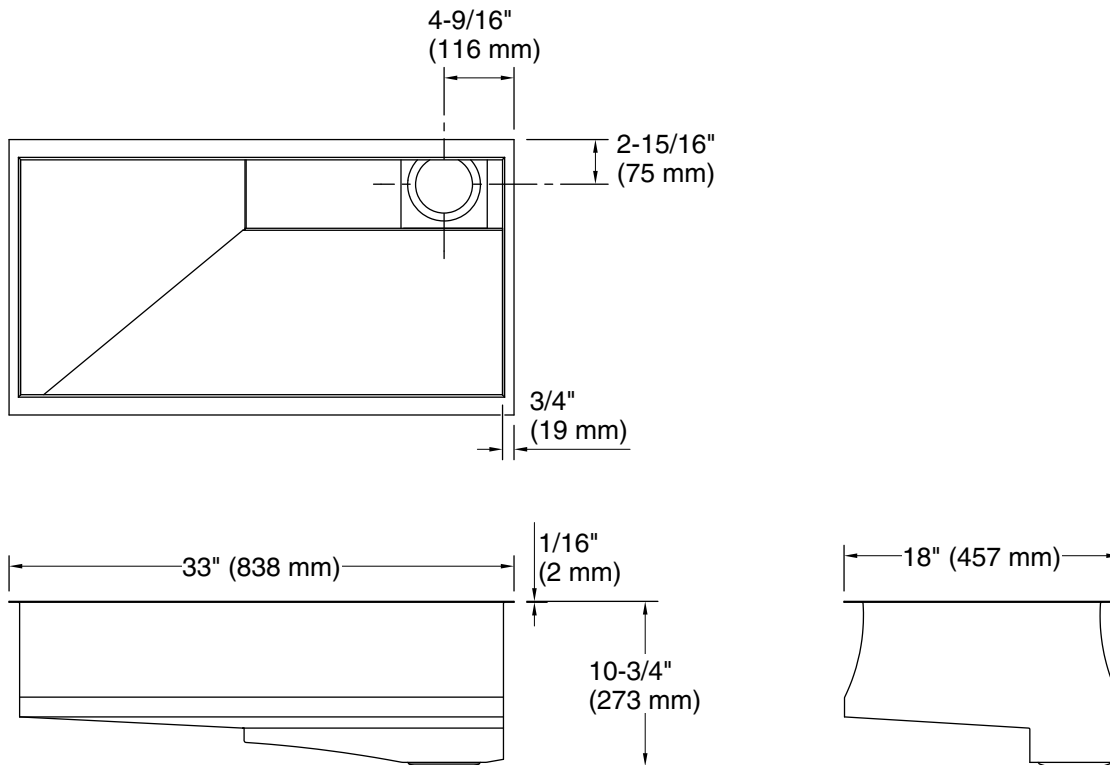
ASME A112.19.3/CSA B45.4

KALLISTA® Five-Year Limited Warranty

See website for detailed warranty
information.

KALLISTA®

Soltiere® by Mick De Giulio
Stainless Steel Kitchen Sink with Standard
Accessories
L20306-00



Technical Information

All product dimensions are nominal.

Basin configuration: Single Bowl

Bowl area: Length: 31-1/2" (800 mm)
Width: 15-3/8" (391 mm)
Bowl depth: 8-1/4" (210 mm)
Water depth: 8-1/4" (210 mm)

Notes

Install this product according to the installation instructions.