

# KALLISTA®

Bacifiore® by Mick De Giulio

24" Butler Sink

L20311-00

## Features

- Polished Distressed (PDS) finish is constructed of 16-gauge stainless steel
- Distressed Polished Silicon Bronze (DSZ) finish is constructed of 16-gauge bronze
- Distressed Copper (DPC) finish is constructed of 16-gauge copper
- All Bacifiore mirrored finishes are hand polished by skilled artisans to achieve maximum brilliance in reflectivity
- Fabricated basin with zero-radii corners delivers a sleek design, enhancing reflectivity of polished finishes
- 24" (610 mm) total length
- 18" (457 mm) total width
- 7" (178 mm) total depth
- Center drain
- Undermount installation recommended

## Recommended Products/Accessories

P34000-00 Sink strainer  
P23175-2MB Bar Faucet  
P23175-SN Bar Faucet  
P23180-2MB Soap/Lotion Dispenser



**ADA**

## Codes/Standards

CSA B45.12/IAPMO Z402

ADA




ICC/ANSI A117.1

## KALLISTA® Five-Year Limited Warranty

See website for detailed warranty information.

## Available Colors/Finishes

*Color tiles intended for reference only.*

Color	Code	Description
	PDS	Polished Distressed
	DPC	Distressed Copper
	DSZ	Distressed Silicon Bronze

1-888-4-KALLISTA (1-888-452-5547)

Kallista reserves the right to make revisions without notice to product specifications.

For the most current Specification Sheet, go to [www.kallista.com](http://www.kallista.com).

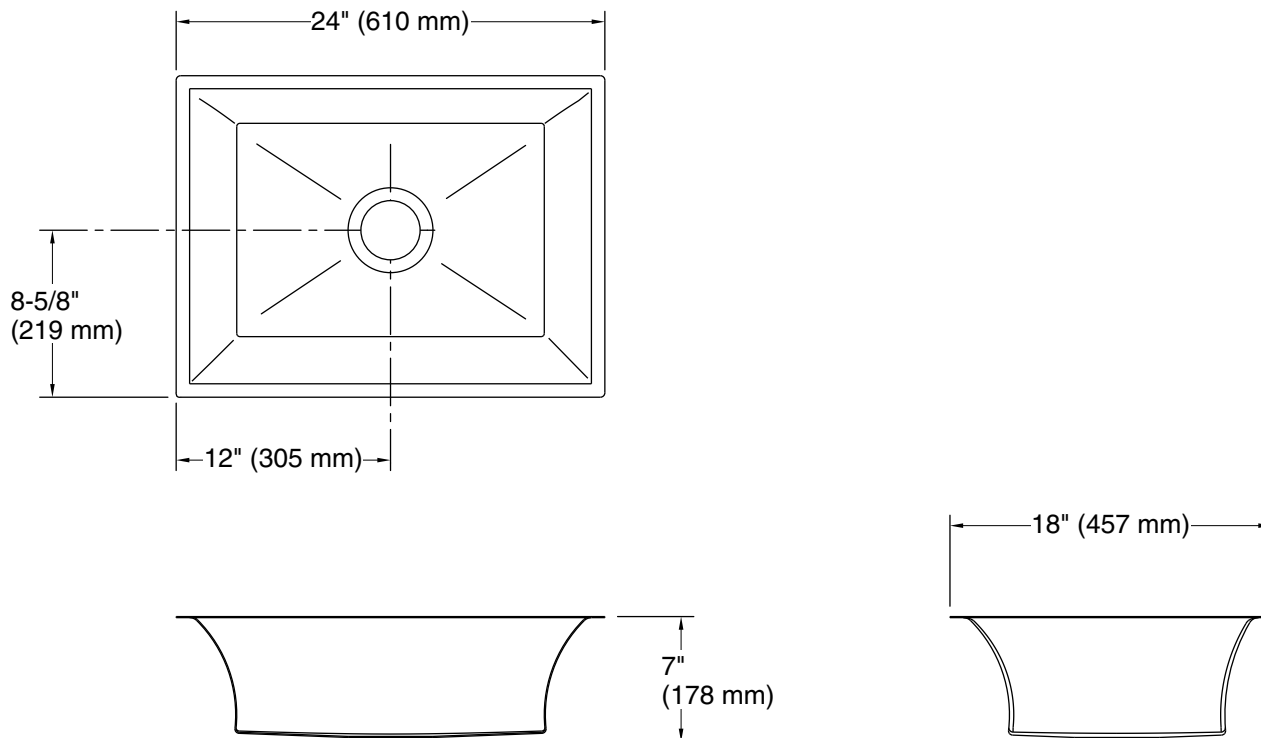
3-1-2026 20:45 - US

# KALLISTA®

Bacifiore® by Mick De Giulio

24" Butler Sink

L20311-00



## Technical Information

All product dimensions are nominal.

Basin configuration:	Single Bowl
Min. base cabinet width:	27" (686 mm)
Bowl area (Basin #1):	Length: 21-5/8" (549 mm) Width: 15-1/2" (394 mm) Bowl depth: 7" (178 mm) Water depth: 6-11/16" (170 mm)
Drain hole:	3-3/4" (94 mm)
Template:	Undermount, 1272248-7, required, included

## Notes

Install this product according to the installation instructions.

ADA compliant when installed to the specific requirements of these regulations.