

KALLISTA®

Bacifiore® by Mick De Giulio
24" Apron-front Butler Sink
L20513-00

Features

- Constructed of 16-gauge stainless steel material
- Center drain
- 23-1/2" (597 mm) total length
- 21-3/16" (538 mm) total width
- 7" (178 mm) total depth

Recommended Products/Accessories

P23175-LV Bar Faucet
P23175-SN Bar Faucet
P23180-00 Soap/Lotion Dispenser
P34000-00 Sink strainer



ADA

Codes/Standards


ADA
ICC/ANSI A117.1

KALLISTA® Five-Year Limited Warranty

See website for detailed warranty
information.

Available Colors/Finishes

Color tiles intended for reference only.

Color	Code	Description
	PDS	Polished Distressed

1-888-4-KALLISTA (1-888-452-5547)

Kallista reserves the right to make revisions without notice to product specifications.

For the most current Specification Sheet, go to www.kallista.com.

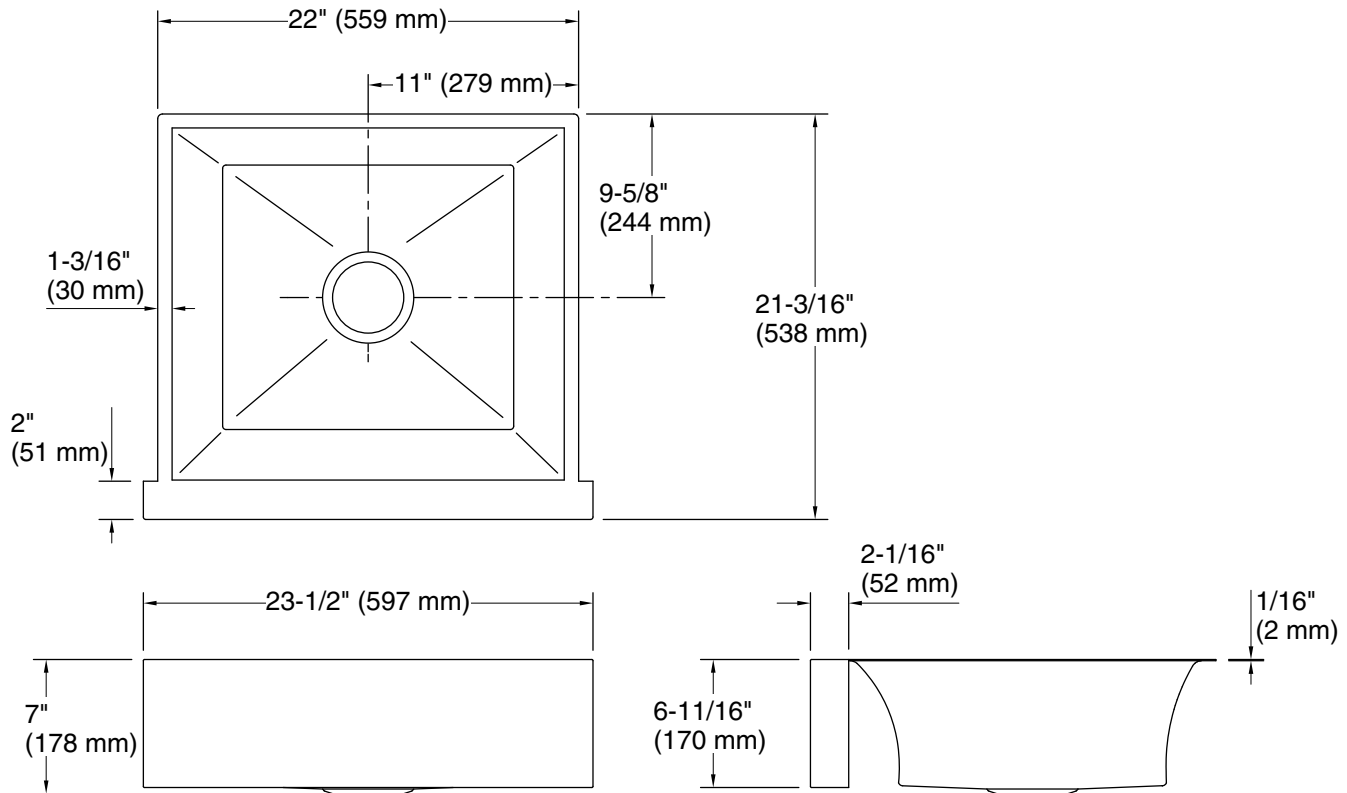
9-24-2025 16:00 - US

KALLISTA®

Bacifiore® by Mick De Giulio

24" Apron-front Butler Sink

L20513-00



Technical Information

All product dimensions are nominal.

Basin configuration:	Single Bowl
Bowl area:	Length: 20" (508 mm) Width: 17-13/16" (452 mm) Bowl depth: 7" (178 mm) Water depth: 6-11/16" (170 mm)
Drain hole:	3-11/16" (94 mm)

Notes

Install this product according to the installation instructions.

IMPORTANT! The distance from the top edge of the cabinet to the top of the cabinet door must be at least 6-7/8" (175 mm) to install this sink.

NOTICE: Countertop manufacturer or cutter must use the cut-out template provided with the product, or a current one provided by Kohler Co. (call 1- 800-4KOHLER). Kohler Co. is not responsible for cutout errors when the incorrect cut-out template is used.

ADA compliant when installed to the specific requirements of these regulations.