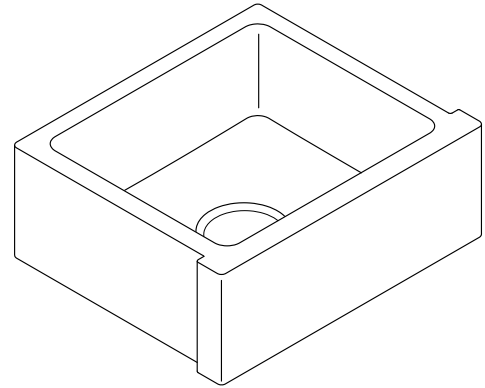


## Features

- Carved from a single block of natural stone, assuring harmonious and natural veining transitions
- 23-1/2" (597 mm) total length
- 19-1/2" (495 mm) total width
- 8-3/4" (222 mm) total depth
- Matching decorative natural stone drain cover included
- Center drain
- Designed and engineered for a precision fit in both standard and custom cabinetry spaces
- Sink drain with strainer sold separately
- Honed surface finishing on internal and external sink surfaces
- Due to the natural properties of stone, veining and color tones can vary from block to block and sink to sink, creating a unique one-of-one piece
- Call-to-quote for Fusion Green Quartzite stone
- All Caillou® products are Make-to-Order and subject to an 11-13 week lead time

## Recommended Products/Accessories

- P34000-00 Sink strainer
- L39764-00 18" Apron Front Bar Sink
- L39742-00 36" Apron Front Kitchen Sink
- P36499-00
- P25000-00 Pull-Down Kitchen Faucet
- P25200-00 Pull-Down Kitchen Faucet



## Codes/Standards


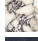
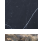
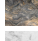

None Applicable

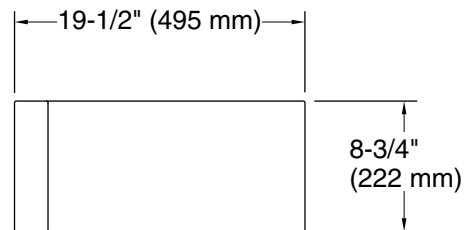
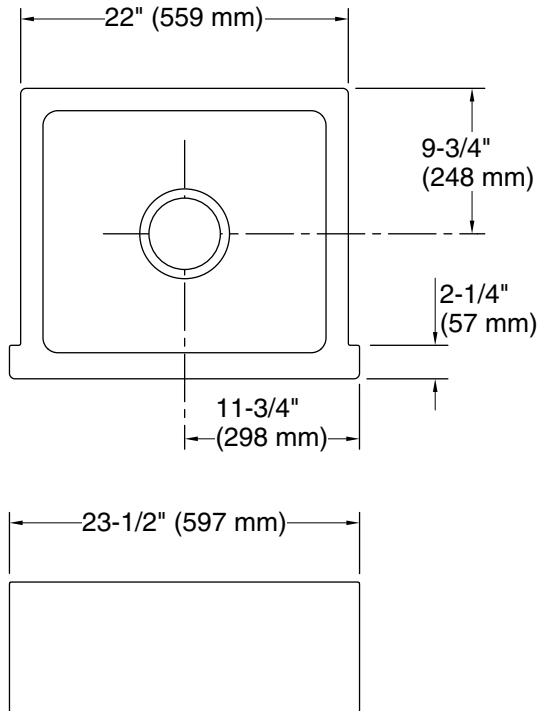
## KALLISTA® Natural Stone One-Year Limited Warranty

See website for detailed warranty information.

## Available Colors/Finishes

*Color tiles intended for reference only.*

Color	Code	Description
	MVV	Macchia Vecchia
	CCV	Calacatta Viola
	NM	Nero Marquina
	FWG	Fusion Green Quartzite
	WH	White Carrara Marble



## Technical Information

All product dimensions are nominal.

Basin configuration:	Single Bowl
Min. base cabinet width:	24" (610 mm)
Bowl area (Basin #1):	Length: 19" (483 mm) Width: 16-1/2" (419 mm) Water depth: 7-5/8" (194 mm)
Drain hole:	3-5/8" (92 mm)
Template:	Undermount, 1657787-7, required, included Apron-front, 1657785-7, required, included

## Notes

Install this product according to the installation instructions.

NOTICE: Countertop manufacturer or cutter must use the cut-out template provided with the product, or a current one provided by Kohler Co. (call 1- 800-4KOHLER). Kohler Co. is not responsible for cutout errors when the incorrect cut-out template is used.