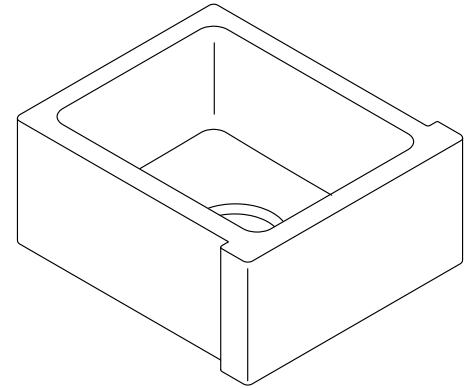


Features

- Carved from a single block of natural stone, assuring harmonious and natural veining transitions
- 17-1/2" (444 mm) total length
- 19-1/2" (495 mm) total width
- 8-3/4" (222 mm) total depth
- Matching decorative natural stone drain cover included
- Center drain
- Designed and engineered for a precision fit in both standard and custom cabinetry spaces
- Sink drain with strainer sold separately
- Honed surface finishing on internal and external sink surfaces
- Due to the natural properties of stone, veining and color tones can vary from block to block and sink to sink, creating a unique one-of-one piece
- Call-to-quote for Fusion Green Quartzite stone
- All Caillou® products are Make-to-Order and subject to an 11-13 week lead time

Recommended Products/Accessories

P34000-00 Sink strainer
P36499-00
L39763-00 24" Apron Front Butler Sink
L39742-00 36" Apron Front Kitchen Sink
P25205-00 Bar Faucet
P23175-LV Bar Faucet



Codes/Standards





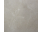

None Applicable

KALLISTA® Natural Stone One-Year Limited Warranty

See website for detailed warranty information.

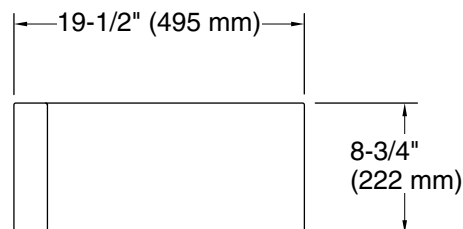
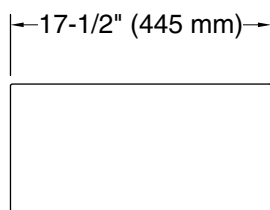
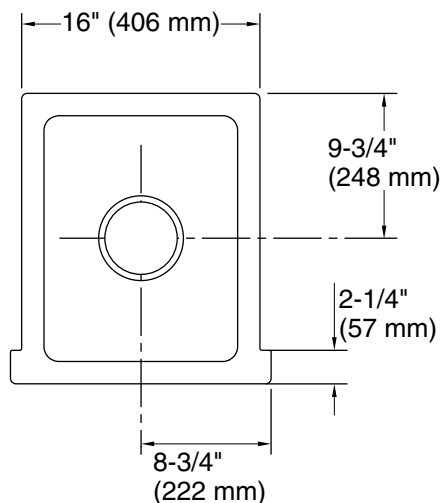
Available Colors/Finishes

Color tiles intended for reference only.

Color	Code	Description
	CCV	Calacatta Viola
	MVV	Macchia Vecchia
	NM	Nero Marquina
	FWG	Fusion Green Quartzite
	RM	Crema Marfil
	WH	White Carrara Marble

KALLISTA

Caillou™ by KALLISTA
18" Apron Front Bar Sink
L39764-00



Technical Information

All product dimensions are nominal.

Basin configuration:	Single Bowl
Min. base cabinet width:	18" (457 mm)
Bowl area (Basin #1):	Length: 13" (330 mm) Width: 16-1/2" (419 mm) Water depth: 7-5/8" (194 mm)
Drain hole:	3-5/8" (92 mm)
Template:	Undermount, 1653664-7, required, included Apron-front, 1657786-7, required, included

Notes

Install this product according to the installation instructions.

NOTICE: Countertop manufacturer or cutter must use the cut-out template provided with the product, or a current one provided by Kohler Co. (call 1- 800-4KOHLER). Kohler Co. is not responsible for cutout errors when the incorrect cut-out template is used.