

**Features**

- Freestanding design
- 5x magnification to help with those up-close details
- Adjustable positioning of mirror: up/down tilt of 35°+
- Frameless, for a minimalistic look
- Durable chrome finish
- Energy efficient LED lighting
  - 5/8” width frosted light bar surrounds the mirror
  - Color switching between 3000K and 5000K for either a warm or cool environment
  - Light direction and output eliminate dark shadows, providing bright, even task lighting and rich, saturated tones to your reflection
  - Remarkably accurate color rendering, so you can see your truest reflection
  - Controlled via a back-lit touch switch

**Lighting Specs**

Kelvin:	3000K – 5000K
CRI:	≥90
Input Power – LED:	3W – 5W
Lux (Approx)*:	≥30
LED Life Expectancy:	≥30,000 hours

\*Measured at 18” from center of mirror

**Codes and Standards**

Certified to

- UL962
- CSA C22.2 No. 0:20

**Electrical System**

- 120 V AC 60 Hz power cord with plug

**Custom Solutions**

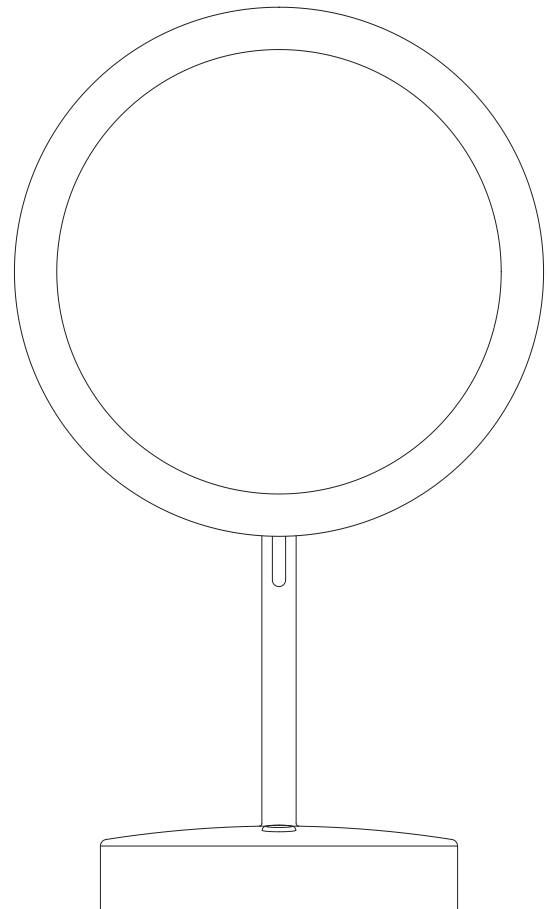
If project design requires a product outside of our offering, semi-custom solutions are available. Contact us at [custom@robern.com](mailto:custom@robern.com) for more information.

**Care and Maintenance**

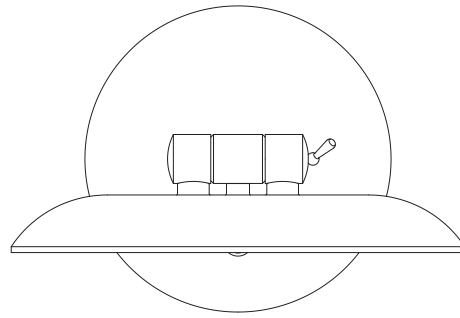
Use only a damp cloth to clean. Ammonia or vinegar-based cleaners can damage mirrors. A 50/50 solution of water and isopropyl alcohol is recommended for cleaning the mirrors. When cleaning, spray the cloth, not the mirror or surround surfaces. Do not use abrasive cleansers on any part of the magnification mirror.

**Services**

- Backed by Kohler
- Uncompromising Quality
- 2-week Lead Time
- 1-Year Limited Warranty



## Dimensions



Top view

