

BEFORE YOU BEGIN

安装之前

- Please read carefully the following INSTRUCTION before starting assembly operations.
- These instruction contain important care, cleaning, and warranty information please leave instructions for the consumer.
- 在开始进行安装操作前，请仔细阅读以下的说明书。
- 本指引包含了有关维护、清洁及保养等重要资料 - 请交于用户留存。

ORDERING INFORMATION

订购信息

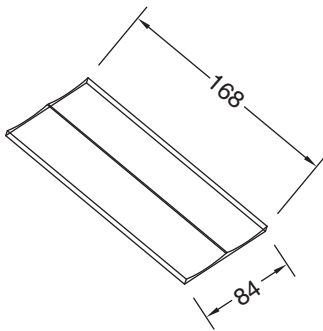
MAXISPACE 2.0 Makeup Storage PackageK-25744T 博纳2.0化妆品收纳配件K-25744T

ROUGHING-IN

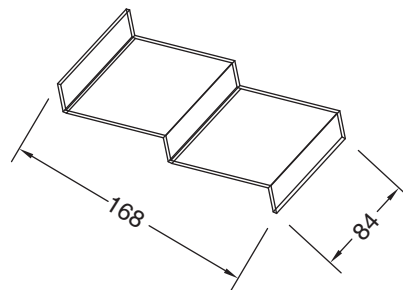
尺寸图

Reference Value
参考值

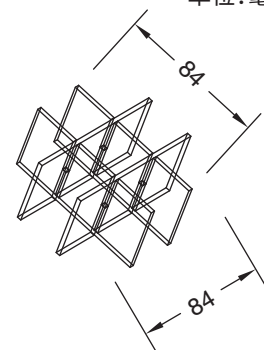
Unit: mm
单位: 毫米



PN: 1400902



PN: 1400903

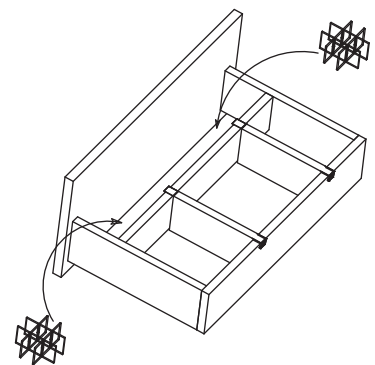
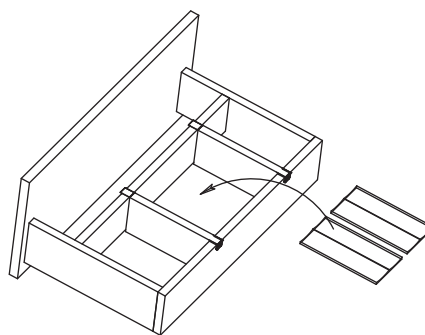
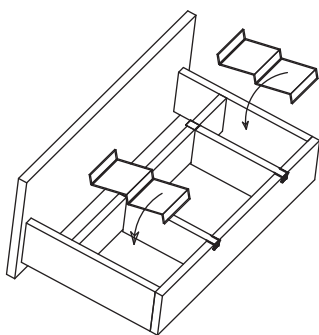


PN: 1400905

Kohler reserves the right to change marked dimensions without prior notice.
科勒公司保留随时变更图中标示尺寸的权利，无需另行通知。

RECOMMENDED USAGE

建议使用方式



DAILY MAINTENANCE

日常维护

1. Cleaning: Can be taken out and washed directly in clean water. Must not brush the surface with a steel ball.
2. Maintenance: Avoid direct sunlight and high temperature.
1. 清洗：可拿出来直接在清水中清洗。切忌用钢丝球刷洗表面。
2. 保养：避免阳光直射，避免接触高温。

CHANGSHU KOHLER LTD., SOUTHEAST ECONOMIC DEVELOPMENT ZONE,
CHANGSHU, JIANGSU PROVINCE, CHINA POST CODE: 215500
常熟科勒有限公司 江苏省常熟市东南经济开发区 邮编:215500