

Features

- Vitreous china
- Round-front bowl
- Includes quiet close seat or night light seat
- Wash down flushing system
- 185 mm rough-in for P-trap
or 90, 180 mm rough-in for S-trap
- Not included S-trap and P-trap connector
- 560 x 360 x 422 mm

Codes/Standards Applicable

Specified model meets or exceeds the following:

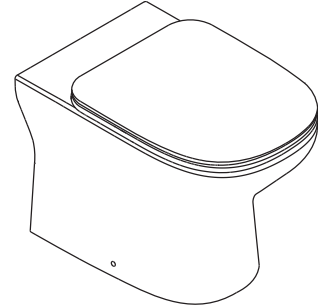
- AS 1172
- BS:EN 997
- MS 1552
- SNI 03-0797
- TIS 792
- ASME 112.19.2/CSA B45
- GB 6952
- PNS 156
- SS 574

Technical Information

Fixture:	
Configuration	Wall-faced, round-front
Water per flush	2.6/4, 3/4.5 or 3/6 liter
Passageway	51 mm
Water area	127 x 102 mm
Water depth from rim	218 mm
Seat post hole centers	140 mm
*Designed to flush with 2.6/4, 3/4.5 or 3/6 lpf water when install with a 2.6/4, 3/4.5 or 3/6 lpf valve.	

WALL-FACED TOILET WITH SEAT

K-21295K ALSO K-78463K



Include Components:	
Bowl	K-77730K
Quiet close seat (for K-78463K) or optional night light seat (for K-21295K)	K-76417K K-77858K

Installation Notes

Install this product according to the installation guide.

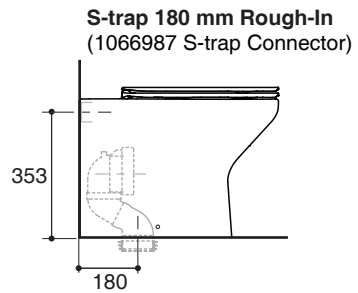
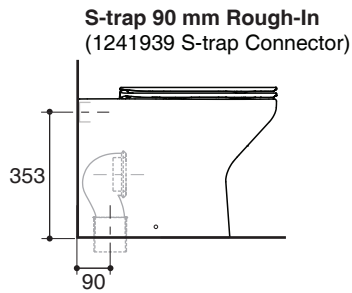
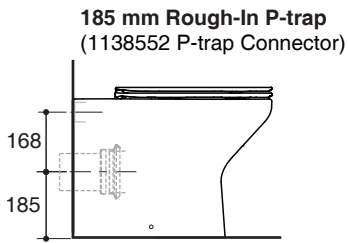
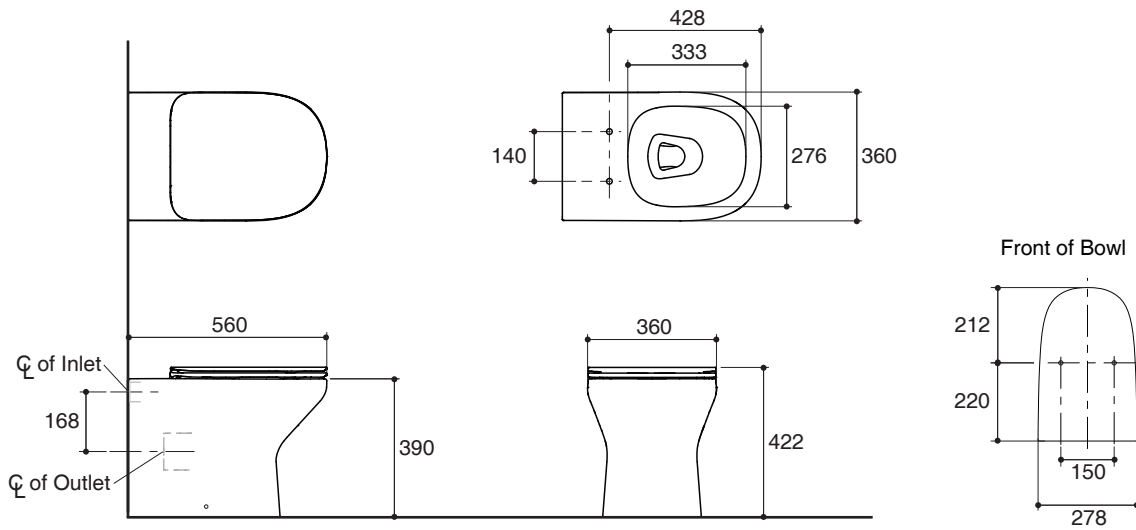
Specified Model

Model	Description	Color/Finished
K-21295K	ModernLife wall-faced toilet with quiet close seat, night light and deodorizer	0: White
K-78463K	ModernLife wall-faced toilet with quiet close seat	0: White

Recommended Accessories		
K-6286T	In-wall tank with cover plate 3/6 lpf	NA: Not Applicable
K-10611A	In-wall tank with cover plate 3/4.5 lpf	NA: Not Applicable
K-78073K/T-PNE	Hydro-tower 200 without frame 2.6/4 lpf	NA: Not Applicable
K-78074K/T-PNE	Hydro-tower 200 without frame 3/4.5 lpf	NA: Not Applicable
K-78075K/T-PNE	Hydro-tower 200 without frame 3/6 lpf	NA: Not Applicable
K-78076K/T-PNE	Hydro-tower 300 without frame 2.6/4 lpf	NA: Not Applicable
K-78077K/T-PNE	Hydro-tower 300 without frame 3/4.5 lpf	NA: Not Applicable
K-78078K/T-PNE	Hydro-tower 300 without frame 3/6 lpf	NA: Not Applicable
1066987	S-trap connector	
1138552	P-trap connector	
1241939	S-trap connector	

MODERNLIFE

Dimensions are approximate.
Unit: mm



Note: The recommended dimension for installation can be adjusted according to user preferences and layout.

Product Diagram