

# KALLISTA®

Central Park West® by Robert A.M. Stern  
Architects

Volume control trim, lever handle  
P21384-LV

## Features

- High-quality solid-brass construction for durability and reliability
- Offers a customizable shower experience
- Required rough-in sold separately
- Unlacquered Brass (ULB) available in North America and the United Kingdom only

## Required Products/Accessories

P29527-00 1/2" Volume Control Rough-In Assembly

or

P29528-00 3/4" Volume Control Rough-In Assembly

## Adapters, Rough-in and Extension Kits

P29527-00 Range: 2-7/16" (62 mm) - 3-3/4" (95 mm)

P29528-00 Range: 2-7/16" (62 mm) - 3-3/4" (95 mm)

## Recommended Products/Accessories

P21383-LV Thermostatic trim, lever handle

P21385-LV Transfer trim, lever handle

P31425-00 Towel Bar, 24"

P21510-00 Air-Induction Small Traditional Rain Showerhead



ADA

CSA B651

OBC

## Codes/Standards

ASME A112.18.1/CSA B125.1

ADA

ICC/ANSI A117.1

CSA B651

OBC

NOM Standards




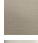

NOM 012-CONAGUA

## KALLISTA® Five-Year Limited Warranty

See website for detailed warranty information.

## Available Colors/Finishes

*Color tiles intended for reference only.*

Color	Code	Description
	CP	Polished Chrome
	ULB	Unlacquered Brass
	BAF	Brushed French Gold
	BN	Brushed Nickel
	BV	Brushed Bronze
	SN	Polished Nickel

1-888-4-KALLISTA (1-888-452-5547)

Kallista reserves the right to make revisions without notice to product specifications.

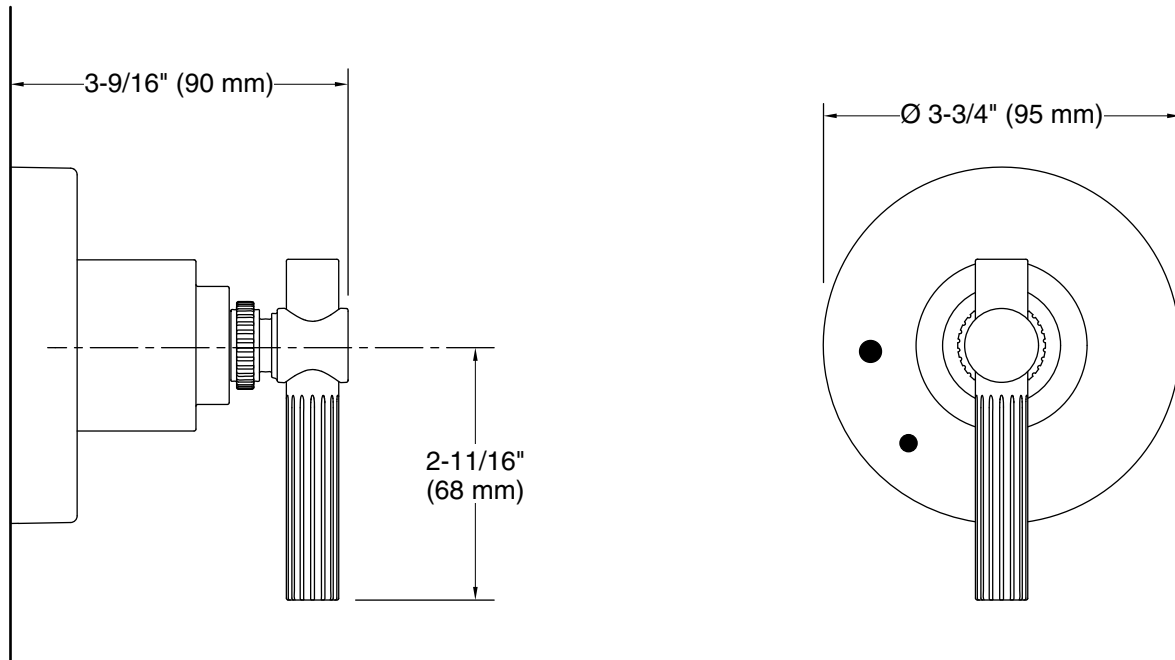
For the most current Specification Sheet, go to [www.kallista.com](http://www.kallista.com).

1-26-2026 20:33 - US/CA

# KALLISTA®

Central Park West® by Robert A.M. Stern  
Architects

Volume control trim, lever handle  
P21384-LV



## Technical Information

All product dimensions are nominal.

## Notes

ADA, OBC, CSA B651 compliant when installed to the specific requirements of these regulations.