

Features

- Ready-to-Ship (RTS) Program, in-stock and ready for immediate shipment: Brushed Bronze (BV)
- High-quality solid brass construction for durability and reliability
- Required shower arm sold separately
- Maximum flow rate of 2.5 gpm (9.5 lpm)
- Single function spray
- Includes escutcheon
- Diameter is 8-3/8" (213 mm)

Required Products/Accessories

P21520-00

or

P21521-00

or

P21522-00 Rain Showerhead Arm

or

P21523-00

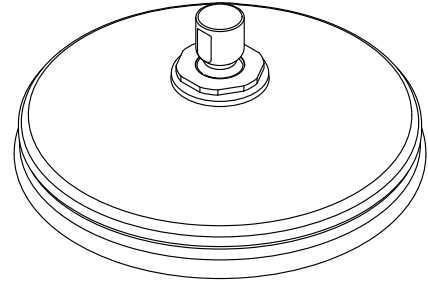
Recommended Products/Accessories

P34709-PL

P23124-00

P23153-00

P23122-LV



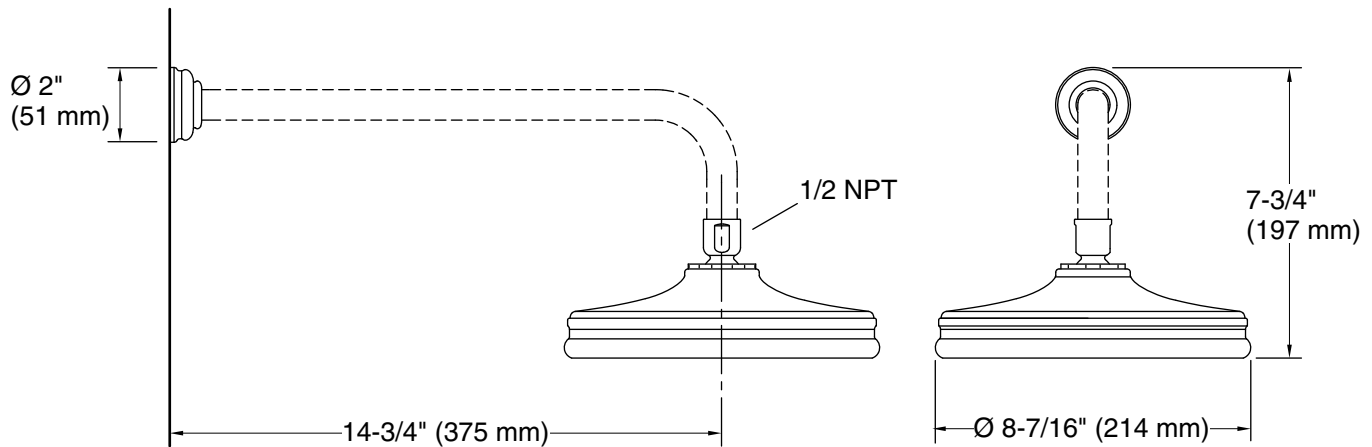
Codes/Standards

ASME A112.18.1/CSA B125.1

DOE - Energy Policy Act 1992

KALLISTA® Five-Year Limited Warranty

See website for detailed warranty
information.



Technical Information

All product dimensions are nominal.

Drain included: No

Showerhead/Body Spray:

Rated maximum flow: 2.5 gal/min (9.5 l/min)

Pressure: 80 psi (5.5 bar)

Notes

For use with automatic compensating valves rated at 2.5 gal/min (9.5 l/min) or less.