

Features

- High-quality solid brass construction for durability and reliability
- Required shower arm sold separately
- Maximum flow rate of 2.5 gpm (9.5 lpm)
- Single function spray
- Includes escutcheon
- Diameter is 8-1/2" (216 mm)

Required Products/Accessories

P21520-00

or

P21521-00

or

P21522-00 Rain Showerhead Arm

or

P21523-00

or

P24841-00

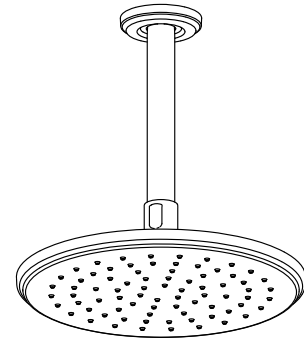
Recommended Products/Accessories

P24943-00

P24917-00

P25656-00

P24925-LV Thermostatic Trim, Lever Handle



Codes/Standards

ASME A112.18.1/CSA B125.1

DOE - Energy Policy Act 1992

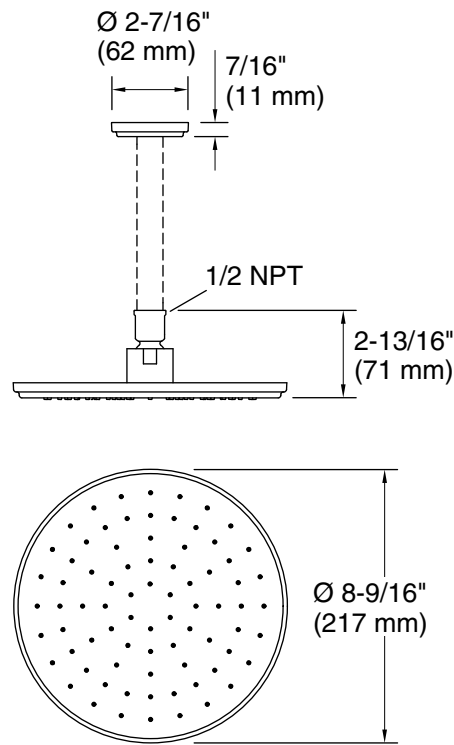
KALLISTA® Five-Year Limited Warranty

See website for detailed warranty information.

Available Colors/Finishes

Color tiles intended for reference only.

Color	Code	Description
	AD	Nickel Silver
	CP	Polished Chrome
	AG	Brushed Nickel
	GN	Gunmetal
	BL	Matte Black
	LB	Bronze
	AF	French Gold
	BAF	Brushed French Gold
	SN	Polished Nickel



Technical Information

All product dimensions are nominal.

Showerhead/Body Spray:

Rated maximum flow: 2.5 gal/min (9.5 l/min)

Pressure: 80 psi (5.5 bar)

Notes

For use with automatic compensating valves rated at 2.5 gal/min (9.5 l/min) or less.