

Features

- A selection of products within this collection is in stock and ready to ship. Please visit kallista.com/resources#ReadyToShip for the complete list of Ready-to-Ship products and finishes
- High-quality solid metal construction for durability and reliability
- Integrated supply and holder
- Provides a cleaner, component reduced shower space



Recommended Products/Accessories

P24843-00 Wand Dual-Function Handshower with Hose
 P24761-00 Handshower with Hose
 P21660-00 Handshower With Hose
 P21512-G Air-Induction ECO Small Contemporary Rain Showerhead

Codes/Standards

ASME A112.18.1/CSA B125.1

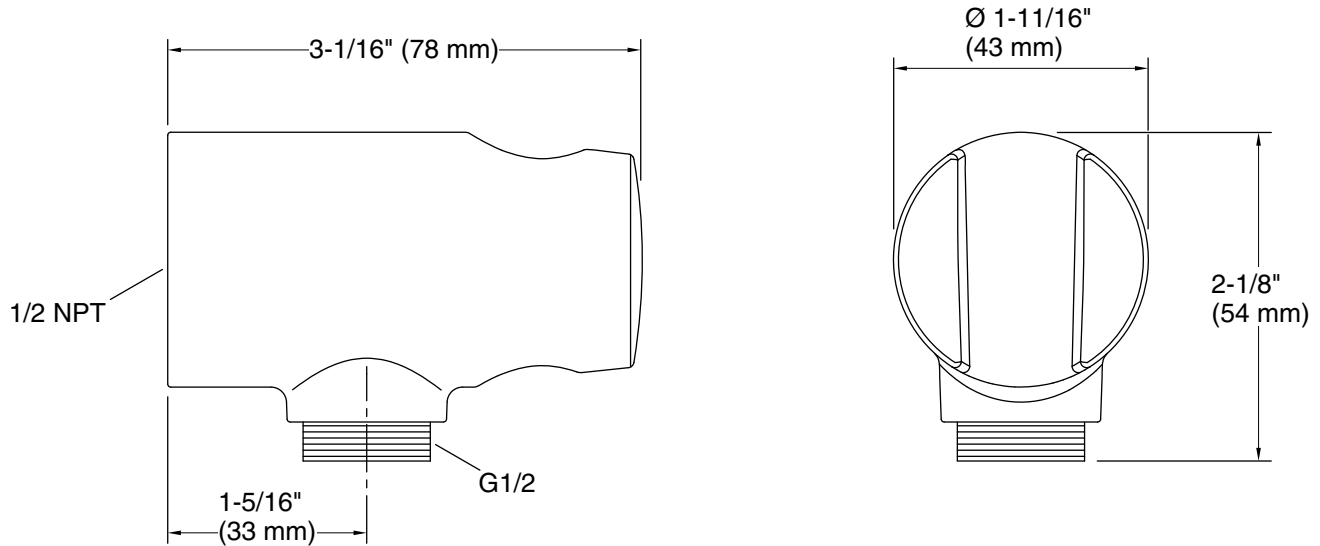
KALLISTA® Five-Year Limited Warranty

See website for detailed warranty information.

Available Colors/Finishes

Color tiles intended for reference only.

Color	Code	Description
	CP	Polished Chrome
	BL	Matte Black
	ULB	Unlacquered Brass
	AF	French Gold
	BAF	Brushed French Gold
	BGP	Brushed Graphite
	BN	Brushed Nickel
	BV	Brushed Bronze
	PGP	Polished Graphite
	SN	Polished Nickel
	2MB	Brushed Moderne Brass



Technical Information

All product dimensions are nominal.