

KALLISTA®

KALLISTA Sink supply valves, two-pack P21934-P

Features

- High quality full brass construction for durability and reliability
- Sold as a pair
- Adjustable escutcheon



Codes/Standards

ASME A112.18.1/CSA B125.1
NSF/ANSI/CAN 61
NSF/ANSI/CAN 372

KALLISTA® Five-Year Limited Warranty

See website for detailed warranty information.

Available Colors/Finishes

Color tiles intended for reference only.

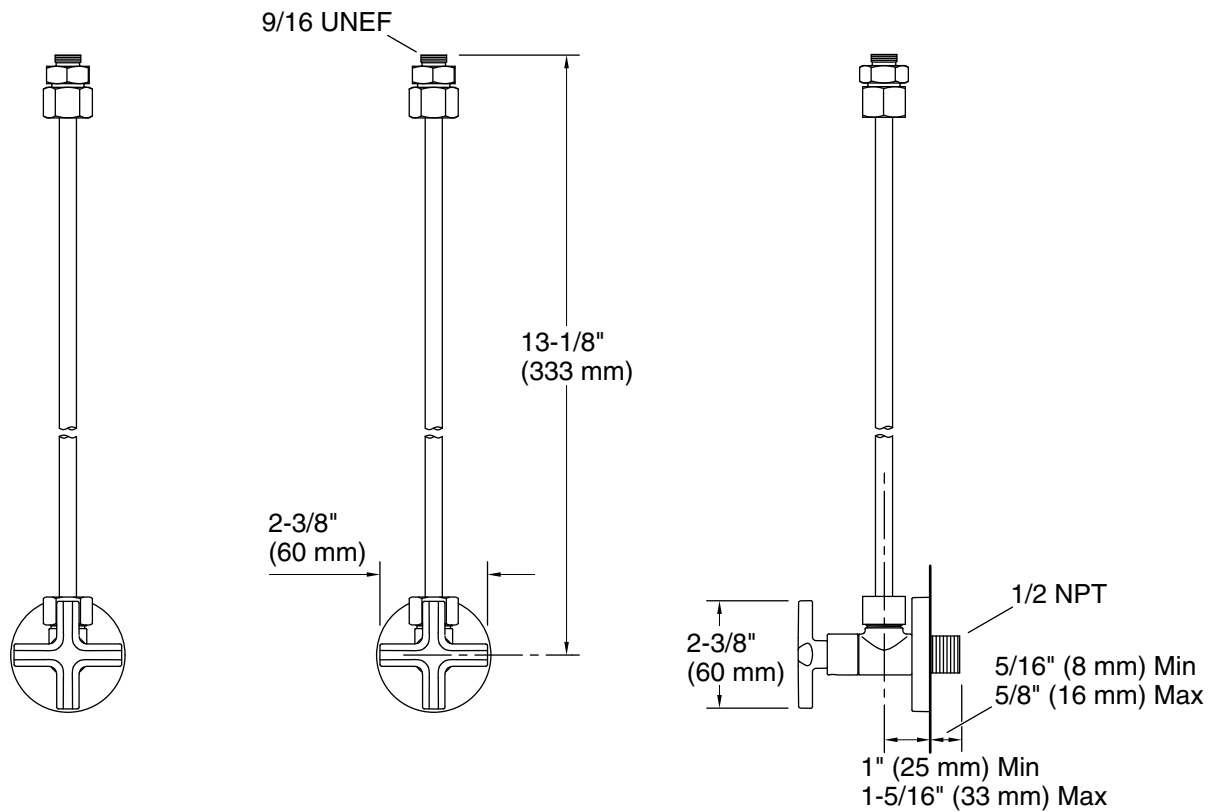
Color	Code	Description
	CP	Polished Chrome
	GN	Gunmetal
	BL	Matte Black
	ULB	Unlacquered Brass
	AF	French Gold
	BAF	Brushed French Gold
	BGP	Brushed Graphite
	BN	Brushed Nickel
	BV	Brushed Bronze
	PGP	Polished Graphite
	SN	Polished Nickel
	2MB	Brushed Moderne Brass

1-888-4-KALLISTA (1-888-452-5547)

Kallista reserves the right to make revisions without notice to product specifications.

For the most current Specification Sheet, go to www.kallista.com.

3-17-2025 22:32 - US/CA



Technical Information

All product dimensions are nominal.

Notes

Install this product according to the installation instructions.