

KALLISTA®

Juxtapose®
Semi-Professional Faucet
P23174-SN

Features

- A selection of products within this collection is in stock and ready to ship. Please visit kallista.com/readytoship for the complete list of Ready-to-Ship products and finishes
- High-quality solid metal construction for durability and reliability
- Spout reach is 9-1/2" (241 mm)
- 1.5 gpm (5.7 lpm) maximum flow rate at 60 psi (4.14 bar)
- Single-hole installation with 360-degree swing spout
- Master Clean sprayface features an easy-to-clean surface that withstands mineral buildup
- Three-function pull-down sprayhead with touch control allows you to switch between stream, Sweep® spray and Boost® technology
- Sweep® spray creates a wide, forceful blade of water for superior cleaning
- Boost® technology increases the flow rate up to 2.2 gpm (8.3 lpm) with the press of a button

Recommended Products/Accessories

P23175-SN Bar Faucet
L20307-00 Stainless Steel Kitchen Sink with Standard Accessories
P23148-LV Contemporary filter faucet
P23181-00 Pot Filler



ADA

CSA B651

Codes/Standards

ASME A112.18.1/CSA B125.1
NSF/ANSI/CAN 61
NSF/ANSI/CAN 372
DOE - Energy Policy Act 1992
California Energy Commission (CEC)
ADA
ICC/ANSI A117.1
CSA B651

KALLISTA® Five-Year Limited Warranty

See website for detailed warranty information.

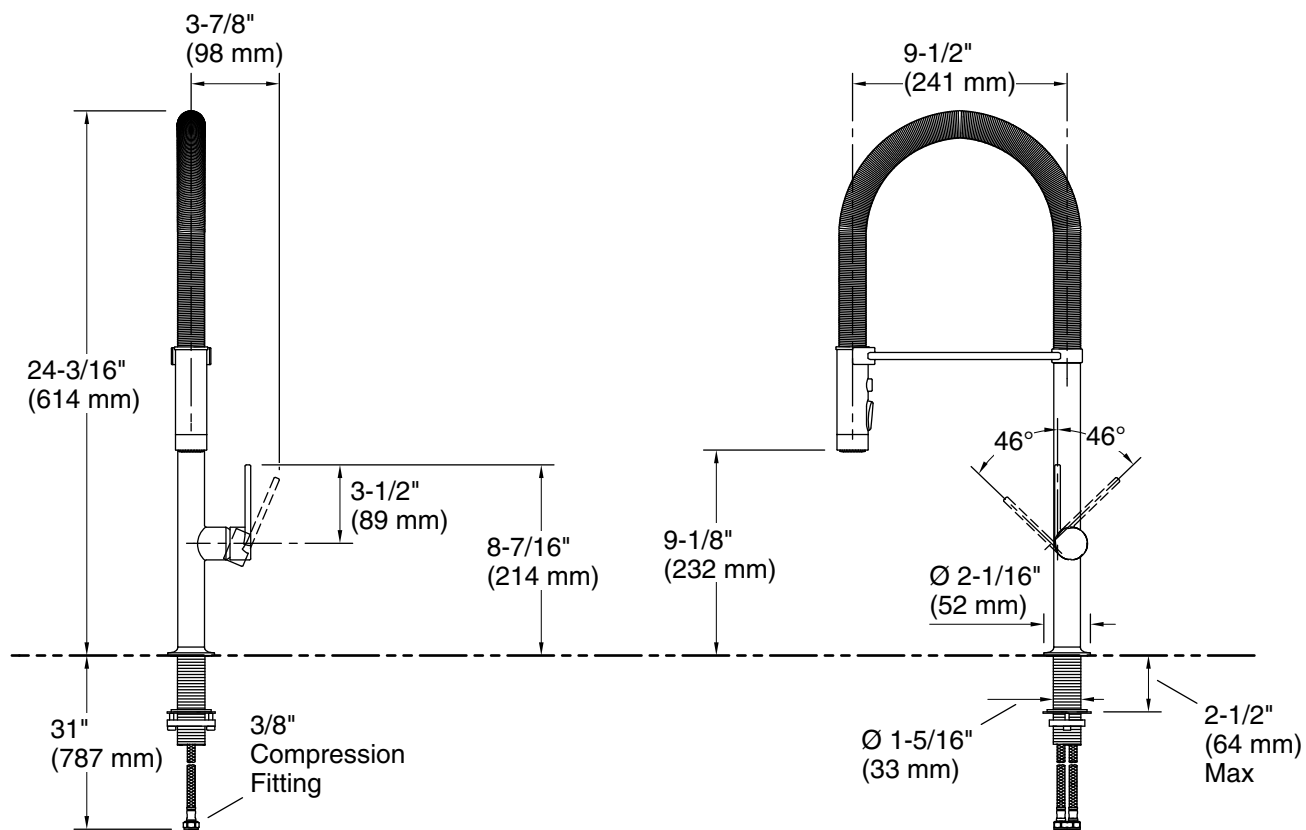
Available Colors/Finishes

Color tiles intended for reference only.

Color	Code	Description
-------	------	-------------



VS	Stainless
----	-----------



Technical Information

All product dimensions are nominal.

Faucet flow rate: 1.5 gal/min (5.7 l/min)

Spout:

Spout reach: 9-1/2" (241 mm)

Pressure/fixture Supply Requirements

Min flow rate: 1.2 gpm (4.5 lpm)

Notes

Install this product according to the installation instructions.

ADA compliant for faucet handles only
ADA, CSA B651 compliant when installed to the specific requirements of these regulations.