

KALLISTA®

One™ Nazaré® by KALLISTA Wall-Mount Sink Faucet, Lever Handles P23347-LV

Features

- Product available for Multi-Unit and Hospitality projects only with 5 unit minimum per item per order. Please contact KALLISTA customer service at projectconciierge@kallista.com or (888-452-5547) for additional information
- High-quality solid-brass construction for durability and reliability
- Spout reach is 7-1/8" (181 mm)
- Laminar flow
- Includes soft-touch drain
- 1.2 gpm (4.5 lpm) maximum flow rate
- Required rough-in sold separately

Required Products/Accessories

P29304-00 Rough-In

Adapters, Rough-in and Extension Kits

P29304-00

Range: 2-1/2" (64 mm) -
3-1/8" (79 mm)

Recommended Products/Accessories

P74234-WO Under-mount Sink, Soft Rectangle with
Overflow, Glazed
P23325-LV
P34402-00 Towel Bar, 18"
P34407-00 Disc Hook



ADA

CSA B651

OBC

Codes/Standards

ASME A112.18.1/CSA B125.1
NSF/ANSI/CAN 61
NSF/ANSI/CAN 372
DOE - Energy Policy Act 1992
EPA WaterSense®
California Energy Commission (CEC)
ADA
ICC/ANSI A117.1
CSA B651
OBC

KALLISTA® Five-Year Limited Warranty

See website for detailed warranty
information.

Available Colors/Finishes

Color tiles intended for reference only.

Color	Code	Description
	CP	Polished Chrome
	SN	Polished Nickel
	BAF	Brushed French Gold
	2MB	Brushed Moderne Brass

1-888-4-KALLISTA (1-888-452-5547)

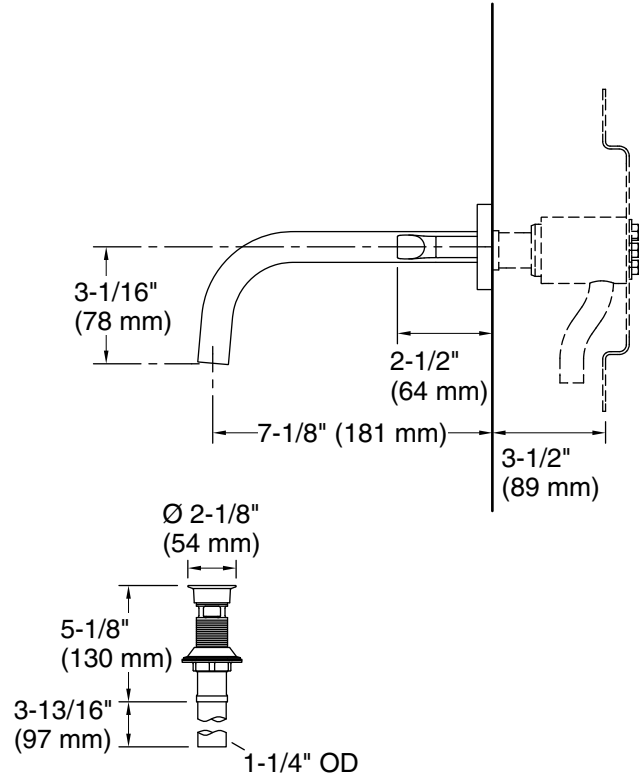
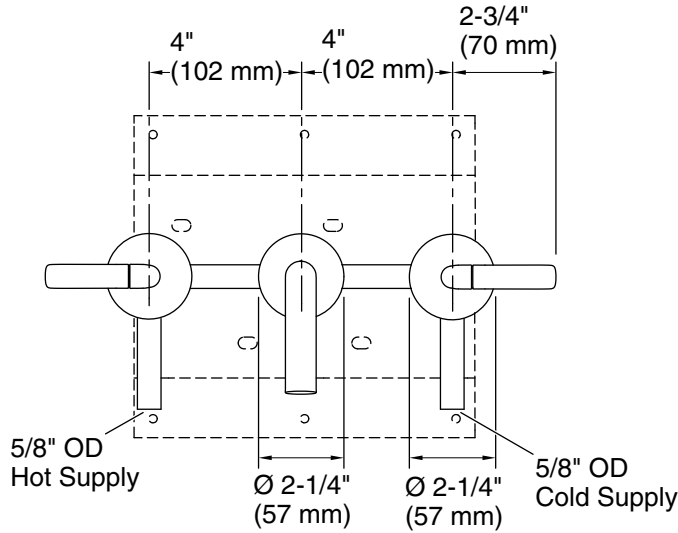
Kallista reserves the right to make revisions without notice to product specifications.

For the most current Specification Sheet, go to www.kallista.com.

2-27-2025 22:42 - US/CA

KALLISTA

One™ Nazaré® by KALLISTA Wall-Mount Sink Faucet, Lever Handles P23347-LV



Technical Information

All product dimensions are nominal.

Faucet flow rate: 1.2 gal/min (4.5 l/min)

Drain included: Yes

Drain with overflow: Yes

Spout:

Spout reach: 7-1/8" (180 mm)

Notes

ADA, OBC, CSA B651 compliant when installed to the specific requirements of these regulations.