

# KALLISTA®

## Pinna Paletta® by Laura Kirar Sink Faucet, Tall Spout, Lever Handles P24900-SNW

### Features

- High-quality solid-brass construction for durability and reliability
- Widespread sink faucet for 8" – 16" (203 – 406 mm) centers
- 1.2 gpm (4.5 lpm) maximum flow rate
- Spout reach is 5-1/2" (140 mm)
- Includes drain and lift rod
- Laminar flow

### Recommended Products/Accessories

- P24910-SNW Wall-Mount Sink Faucet, Lever Handles
- P24933-SNW Towel Bar, 18"
- P24936-SNW Hook



**ADA** **CSA B651** **OBC**

### Codes/Standards


ASME A112.18.1/CSA B125.1  
NSF/ANSI/CAN 61  
NSF/ANSI/CAN 372  
DOE - Energy Policy Act 1992  
EPA WaterSense®  
California Energy Commission (CEC)  
ADA  
ICC/ANSI A117.1  
CSA B651  
OBC

### KALLISTA® Five-Year Limited Warranty

See website for detailed warranty  
information.

### Available Colors/Finishes

*Color tiles intended for reference only.*

Color	Code	Description
	SN	Polished Nickel

1-888-4-KALLISTA (1-888-452-5547)

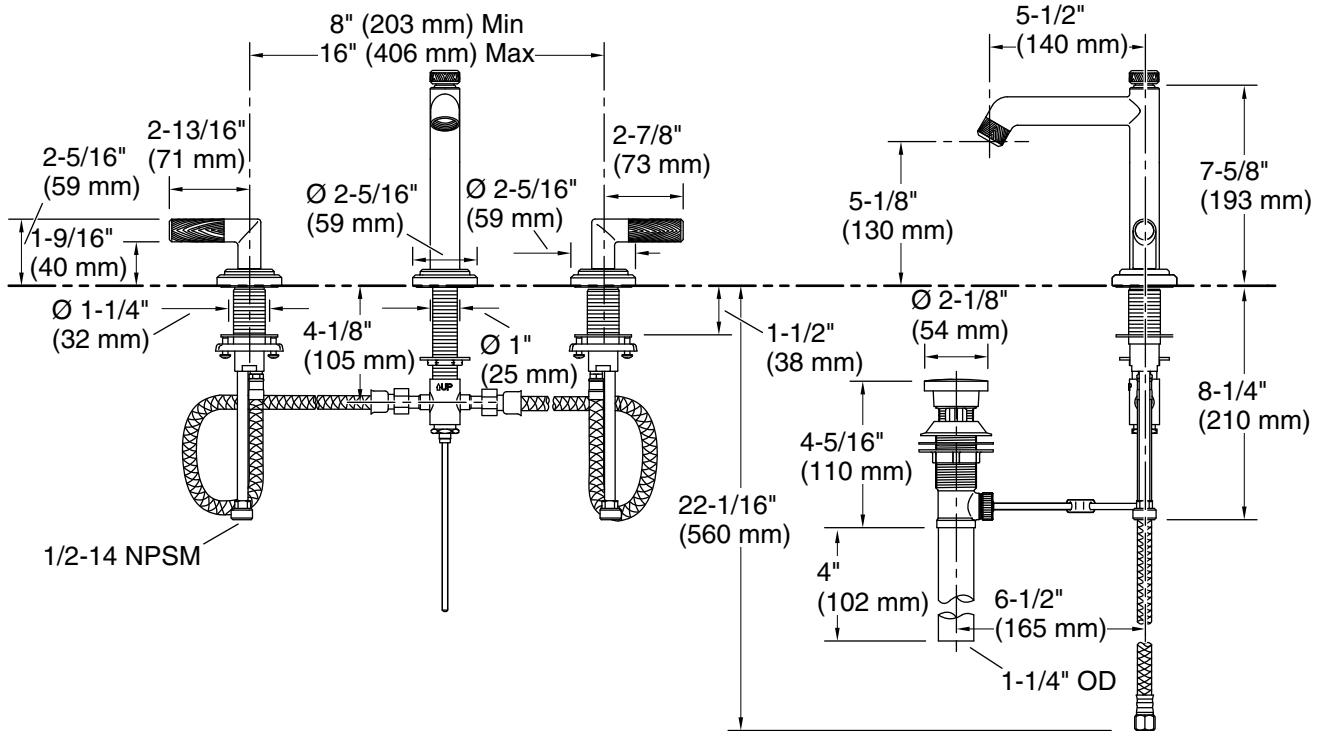
Kallista reserves the right to make revisions without notice to product specifications.

For the most current Specification Sheet, go to [www.kallista.com](http://www.kallista.com).

2-15-2025 21:46 - US/CA

# KALLISTA.

Pinna Paletta® by Laura Kirar  
Sink Faucet, Tall Spout, Lever Handles  
P24900-SNW



## Technical Information

All product dimensions are nominal.

Faucet flow rate: 1.2 gal/min (4.5 l/min)

Drain included: Yes

Drain with overflow: Yes

Spout:

Spout reach: 5-1/2" (139 mm)

## Notes

Install this product according to the installation instructions.

ADA, OBC, CSA B651 compliant when installed to the specific requirements of these regulations.