

KALLISTA®

Pinna Paletta® by Laura Kirar Wall-Mount Sink Faucet, Lever Handles P24910-BAF

Features

- High-quality solid-brass construction for durability and reliability
- Spout reach is 6-1/8" (156 mm)
- Laminar flow
- Includes soft-touch drain
- Three-hole installation
- 1.2 gpm (4.5 lpm) maximum flow rate
- Required rough-in sold separately

Required Products/Accessories

For wall-mount installation
P29304-00 Rough-In

Recommended Products/Accessories

P24901-SNW Sink Faucet, Low Spout, Lever Handles
P25336-SNW Towel ring
P24936-SNW Hook



ADA **CSA B651** **OBC**

Codes/Standards


ASME A112.18.1/CSA B125.1
NSF/ANSI/CAN 61
NSF/ANSI/CAN 372
DOE - Energy Policy Act 1992
EPA WaterSense®
California Energy Commission (CEC)
ADA
ICC/ANSI A117.1
CSA B651
OBC

KALLISTA® Five-Year Limited Warranty

See website for detailed warranty
information.

Available Colors/Finishes

Color tiles intended for reference only.

Color	Code	Description
	BAF	Brushed French Gold

1-888-4-KALLISTA (1-888-452-5547)

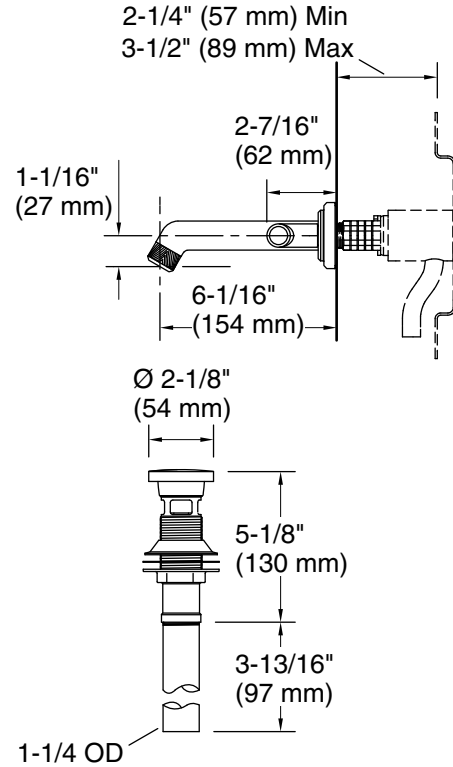
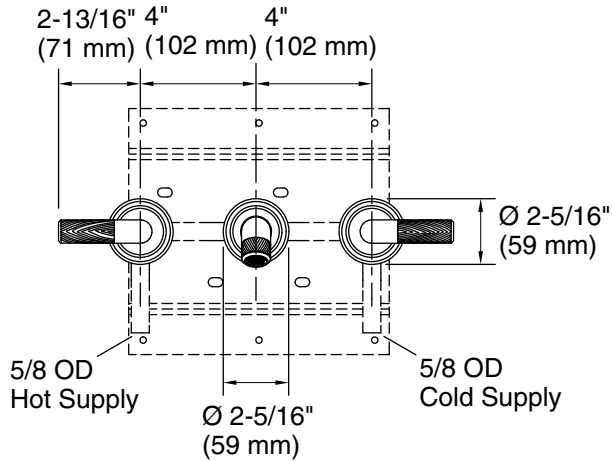
Kallista reserves the right to make revisions without notice to product specifications.

For the most current Specification Sheet, go to www.kallista.com.

2-15-2025 21:47 - US/CA

KALLISTA

Pinna Paletta® by Laura Kirar Wall-Mount Sink Faucet, Lever Handles P24910-BAF



Technical Information

All product dimensions are nominal.

Faucet flow rate: 1.2 gal/min (4.5 l/min)

Drain included: Yes

Drain with overflow: Yes

Spout:

Spout reach: 6-1/8" (156 mm)

Notes

ADA, OBC, CSA B651 compliant when installed to the specific requirements of these regulations.