

KALLISTA®

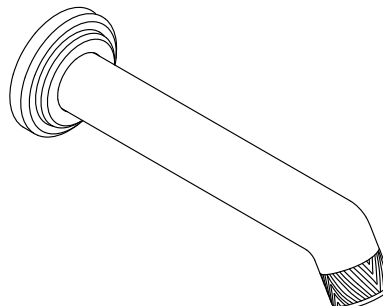
Pinna Paletta® by Laura Kirar Wall-Mount Bath Spout P24914-BNW

Features

- High-quality solid-brass construction for durability and reliability
- Spout reach is 8-1/8" (206 mm)

Recommended Products/Accessories

- P50045-00 Large Rectangular Bathtub
- P24915-SNW Pressure Balance Shower Trim, Lever Handle
- P24933-ULB Towel Bar, 18"
- P25656-00 Handshower with Hose



Codes/Standards

ASME A112.18.1/CSA B125.1

KALLISTA® Five-Year Limited Warranty

See website for detailed warranty information.

Available Colors/Finishes

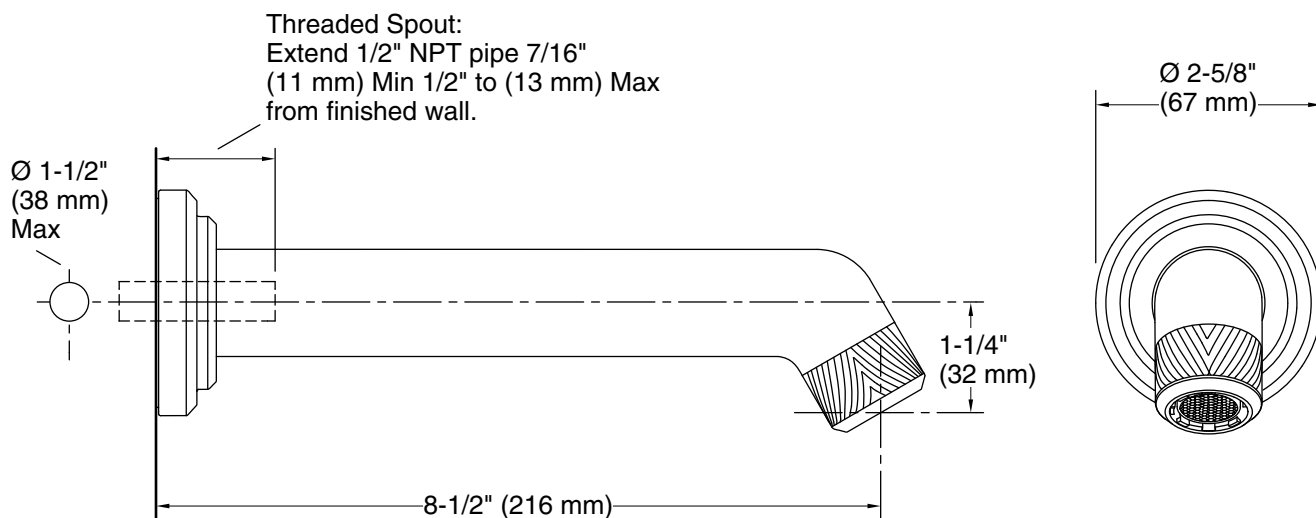
Color tiles intended for reference only.

Color	Code	Description
-------	------	-------------

	BN	Brushed Nickel
---	----	----------------

KALLISTA®

Pinna Paletta® by Laura Kirar
Wall-Mount Bath Spout
P24914-BNW



Technical Information

All product dimensions are nominal.

Faucet flow rate: 10.75 gal/min (40.7 l/min)

Drain included: No

Drain with
overflow: No

Spout:

Spout reach: 8-1/2" (215 mm)

Notes

Install this product according to the
installation instructions.