

KALLISTA®

Pinna Paletta® by Laura Kirar Thermostatic Shower Trim, Lever Handle P24922-BNW

Features

- High-quality solid-brass construction for durability and reliability
- Required rough-in sold separately
- Precise temperature setting capability
- Patented K-joint installation ensures consistent trim appearance

Required Products/Accessories

P29511-WS 1/2" Thermostatic Mixing Valve

or

P29512-WS 3/4" Thermostatic Mixing Valve

or

P24923-BNW Volume Control Shower Trim, Lever Handle

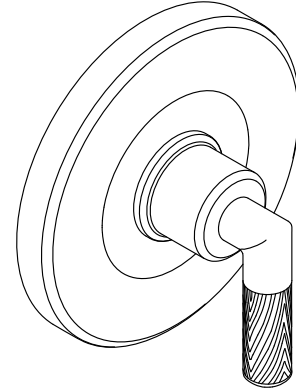
Recommended Products/Accessories

P25656-00 Handshower with Hose

P24942-00 Air-Induction Showerhead with Arm

P24915-BNW Pressure Balance Shower Trim, Lever Handle

P24933-BNW Towel Bar, 18"



ADA

CSA B651

OBC

Codes/Standards

ASME A112.18.1/CSA B125.1

ADA

ICC/ANSI A117.1

CSA B651

OBC

KALLISTA® Five-Year Limited Warranty

See website for detailed warranty information.

Available Colors/Finishes

Color tiles intended for reference only.

Color Code Description



BN

Brushed Nickel

1-888-4-KALLISTA (1-888-452-5547)

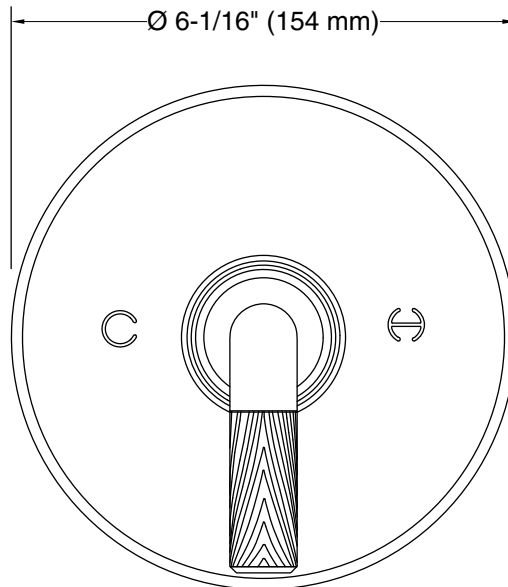
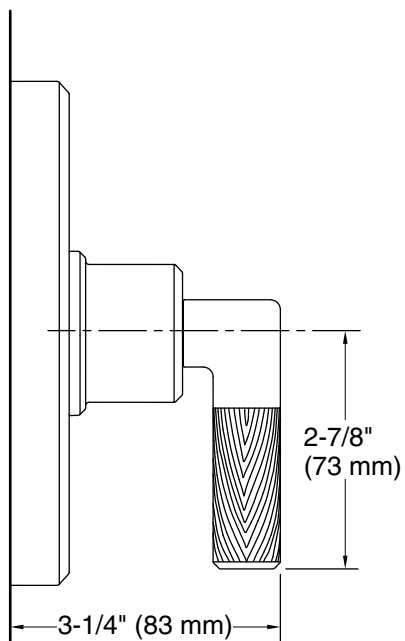
Kallista reserves the right to make revisions without notice to product specifications.

For the most current Specification Sheet, go to www.kallista.com.

2-16-2025 19:48 - US/CA

KALLISTA®

Pinna Paletta® by Laura Kirar
Thermostatic Shower Trim, Lever Handle
P24922-BNW



Technical Information

All product dimensions are nominal.

Drain included: No

Notes

Install this product according to the installation instructions.

ADA, OBC, CSA B651 compliant when installed to the specific requirements of these regulations.