

# KALLISTA®

## Pinna Paletta® by Laura Kirar Thermostatic Shower Trim, Lever Handle P24922-SNW

### Features

- High-quality solid-brass construction for durability and reliability
- Required rough-in sold separately
- Precise temperature setting capability
- Patented K-joint installation ensures consistent trim appearance

### Required Products/Accessories

P29511-WS 1/2" Thermostatic Mixing Valve

or

P29512-WS 3/4" Thermostatic Mixing Valve

or

P24923-SNW Volume Control Shower Trim, Lever Handle



### Recommended Products/Accessories

P24915-SNW Pressure Balance Shower Trim, Lever Handle

P25656-00 Handshower with Hose

P24942-00 Air-Induction Showerhead with Arm

P24933-SNW Towel Bar, 18"

**ADA**

**CSA B651**

**OBC**

### Codes/Standards

ASME A112.18.1/CSA B125.1

ADA

ICC/ANSI A117.1

CSA B651

OBC

### KALLISTA® Five-Year Limited Warranty

See website for detailed warranty information.

### Available Colors/Finishes

*Color tiles intended for reference only.*

Color Code Description

■ SN Polished Nickel

---

1-888-4-KALLISTA (1-888-452-5547)

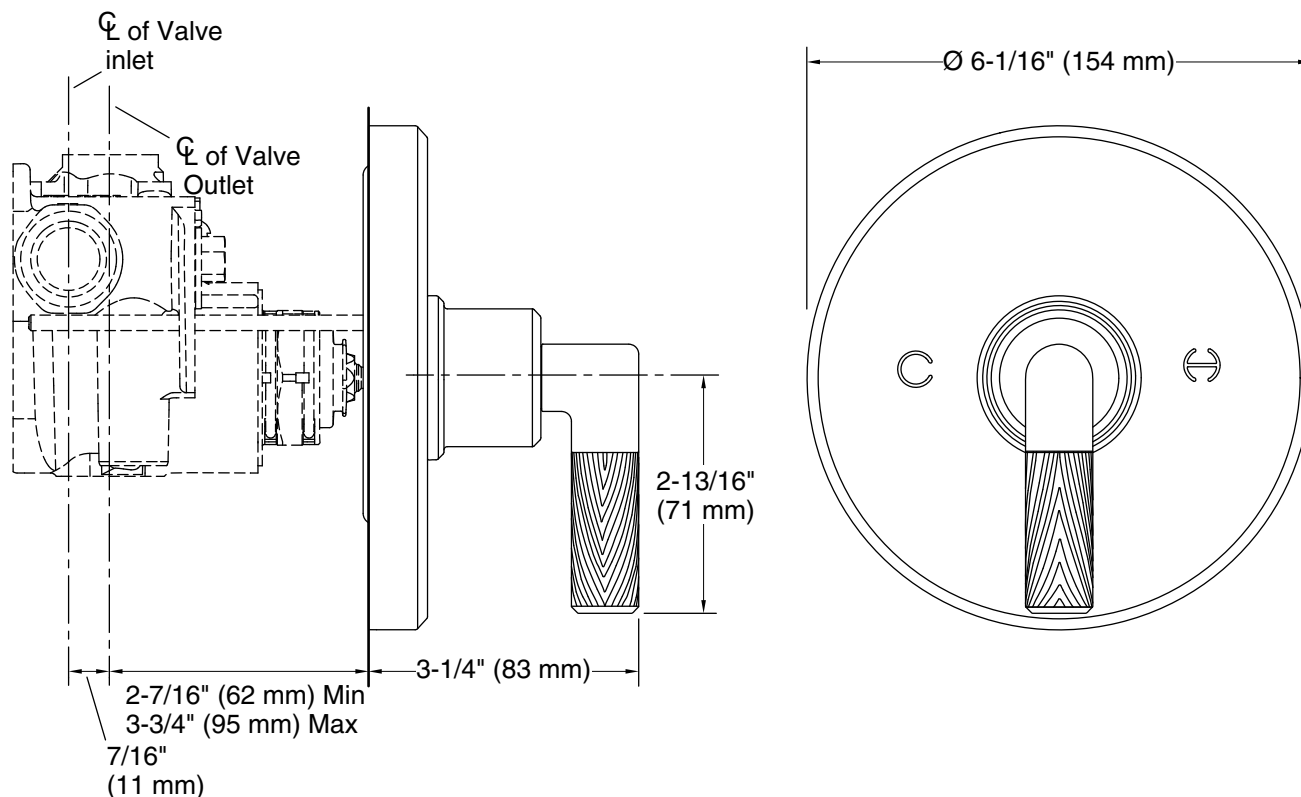
Kallista reserves the right to make revisions without notice to product specifications.

For the most current Specification Sheet, go to [www.kallista.com](http://www.kallista.com).

2-15-2025 21:50 - US/CA

# KALLISTA®

Pinna Paletta® by Laura Kirar  
Thermostatic Shower Trim, Lever Handle  
P24922-SNW



## Technical Information

All product dimensions are nominal.

Drain included: No

## Notes

Install this product according to the installation instructions.

ADA, OBC, CSA B651 compliant when installed to the specific requirements of these regulations.