

# KALLISTA®

## Pinna Paletta® by Laura Kirar Transfer Shower Trim, Lever Handle P24924-BNW

### Features

- High-quality solid-brass construction for durability and reliability
- Required rough-in sold separately
- Allows for directed water flow

### Required Products/Accessories

P29513-00 Transfer Valve

or

P29514-00 Transfer Valve, Eco

### Recommended Products/Accessories

P24915-BNW Pressure Balance Shower Trim, Lever Handle

P24914-BNW Wall-Mount Bath Spout

P21676-00 Air-Induction Transitional Rain Showerhead

P22078-H Body Spray



**ADA**

**CSA B651**

**OBC**

### Codes/Standards

ASME A112.18.1/CSA B125.1

ADA

ICC/ANSI A117.1

CSA B651

OBC

### KALLISTA® Five-Year Limited Warranty

See website for detailed warranty information.

### Available Colors/Finishes

*Color tiles intended for reference only.*

Color	Code	Description
-------	------	-------------

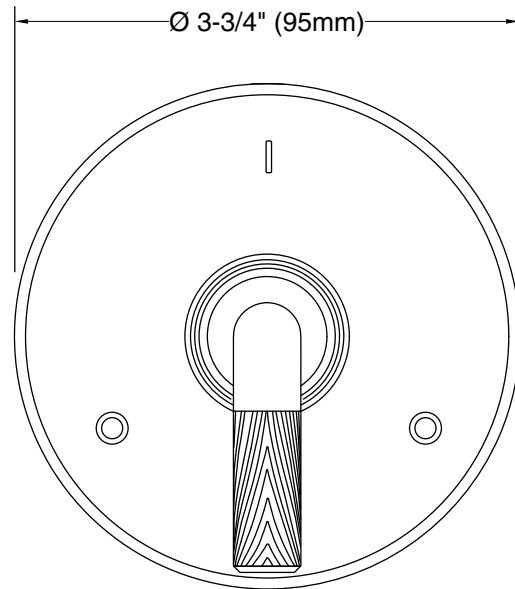
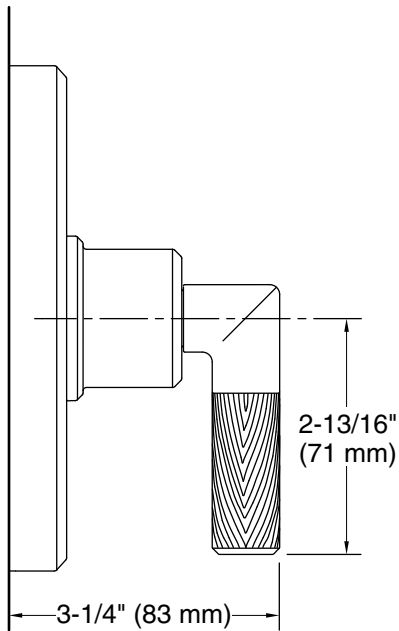


BN

Brushed Nickel

# KALLISTA®

Pinna Paletta® by Laura Kirar  
Transfer Shower Trim, Lever Handle  
P24924-BNW



## Technical Information

All product dimensions are nominal.

## Notes

Install this product according to the installation instructions.

ADA, OBC, CSA B651 compliant when installed to the specific requirements of these regulations.