

KALLISTA®

Pinna Paletta® by Laura Kirar Transfer Shower Trim, Lever Handle P24924-SNW

Features

- High-quality solid-brass construction for durability and reliability
- Required rough-in sold separately
- Allows for directed water flow

Required Products/Accessories

P29513-00 Transfer Valve

or

P29514-00 Transfer Valve, Eco

Recommended Products/Accessories

P24915-SNW Pressure Balance Shower Trim, Lever Handle

P24914-SNW Wall-Mount Bath Spout

P21676-00 Air-Induction Rain Showerhead

P22078-H Body Spray



ADA

CSA B651

OBC

Codes/Standards

ASME A112.18.1/CSA B125.1

ADA

ICC/ANSI A117.1

CSA B651

OBC

KALLISTA® Five-Year Limited Warranty

See website for detailed warranty information.

Available Colors/Finishes

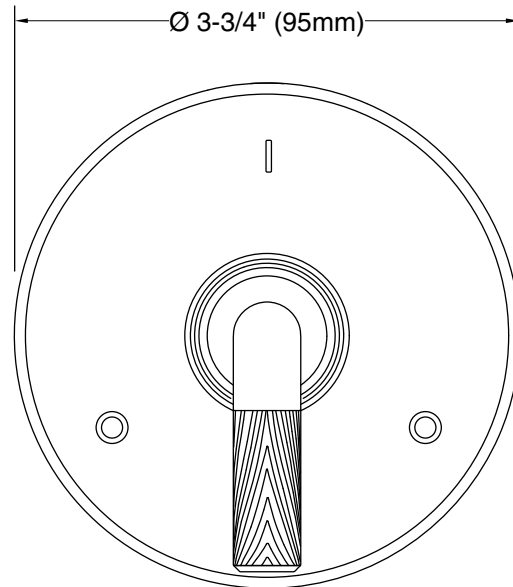
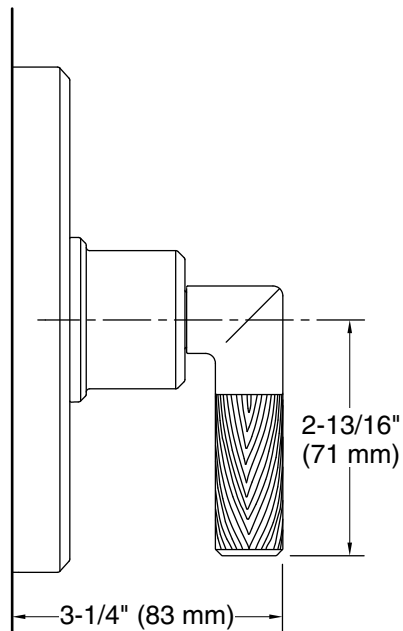
Color tiles intended for reference only.

Color	Code	Description
-------	------	-------------

	SN	Polished Nickel
---	----	-----------------

KALLISTA®

Pinna Paletta® by Laura Kirar
Transfer Shower Trim, Lever Handle
P24924-SNW



Technical Information

All product dimensions are nominal.

Drain included: No

Notes

Install this product according to the installation instructions.

ADA, OBC, CSA B651 compliant when installed to the specific requirements of these regulations.