

KALLISTA®

Pinna Paletta® by Laura Kirar Freestanding Bath Faucet, Less Handshower P24977-BAF

Features

- High-quality solid-brass construction for durability and reliability
- Floor-mount, single hole installation
- Required mounting block sold separately (P20511-00-NA)
- Required handshower sold separately
- Spout reach is 9-5/16" (237 mm)
- Includes integral valve
- Includes hardware kit and escutcheon

Required Products/Accessories

P20511-00

or

P25656-00 Handshower with Hose

Recommended Products/Accessories

P50206-00 Freestanding Bathtub

P30801-00 4" cabinet pull

P24936-SNW Hook

P24900-SNW Sink Faucet, Tall Spout, Lever Handles



Codes/Standards

ASME A112.18.1/CSA B125.1

KALLISTA® Five-Year Limited Warranty

See website for detailed warranty information.

Available Colors/Finishes

Color tiles intended for reference only.

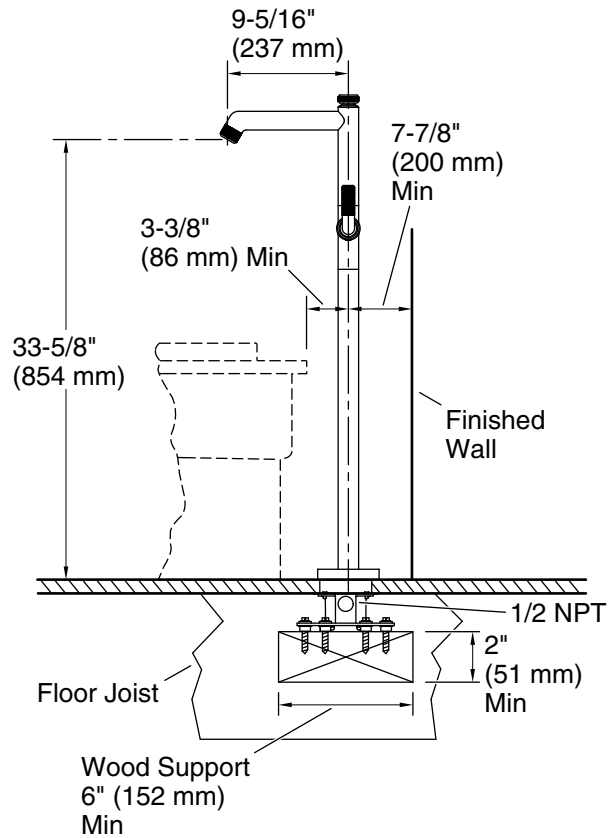
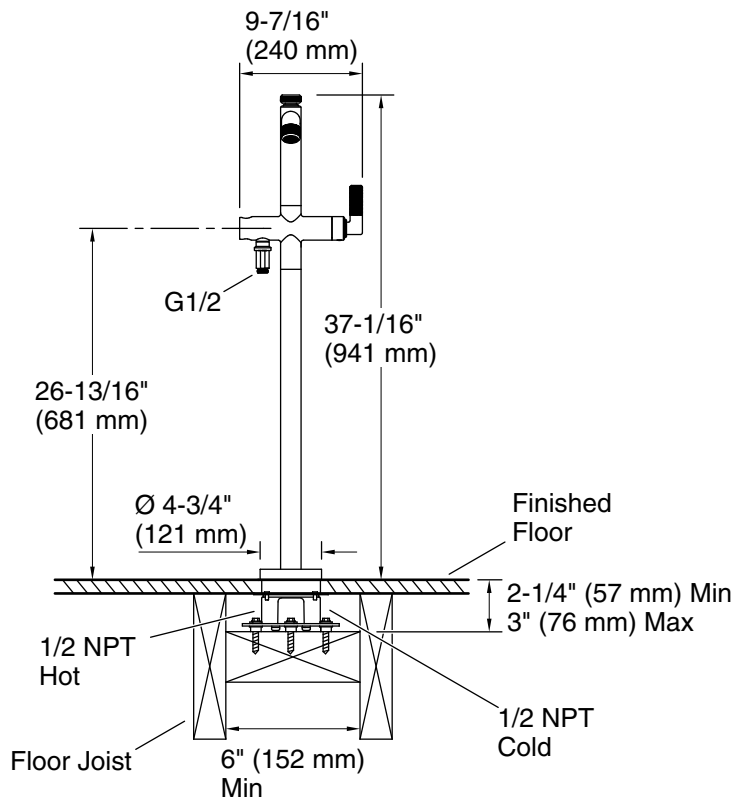
Color	Code	Description
-------	------	-------------



BAF	Brushed French Gold
-----	---------------------

KALLISTA®

Pinna Paletta® by Laura Kirar Freestanding Bath Faucet, Less Handshower P24977-BAF



Technical Information

All product dimensions are nominal.

Faucet flow rate: 8 gal/min (30.3 l/min)

Drain included: No

Notes

Install this product according to the installation guide.

Adequate floor support is required. The wood support must be a minimum of 2" (51 mm) thick by 6" (152 mm) wide. 2x6 lumber is NOT adequate for this application.

Concrete can be used as the floor support. Requires 3/16" masonry drill bit and six 1/4" x 1-3/4" concrete screws, not included.