

KALLISTA®

Script® by KALLISTA Script Sink Faucet, Low Spout, Cross Handles P25006-CR

Features

- High-quality solid metal construction for durability and reliability
- Widespread sink faucet for 8" – 16" (203 – 406 mm) centers
- 1.2 gpm (4.5 lpm) maximum flow rate
- Spout reach is 5-1/2" (140 mm)
- Includes drain and lift rod
- Aerated flow

Recommended Products/Accessories

- P74241-WO Under-mount Sink, Soft Oval with Overflow, Glazed
- P25055-SPR Sink faucet, arch spout, Spring Rain lever handles
- P25041-00 Towel Bar, 24"
- P25046-00 Hook



ADA **CSA B651** **OBC**

Codes/Standards

ASME A112.18.1/CSA B125.1
NSF/ANSI/CAN 61
NSF/ANSI/CAN 372
DOE - Energy Policy Act 1992
EPA WaterSense®
California Energy Commission (CEC)
ADA
ICC/ANSI A117.1
CSA B651
OBC

KALLISTA® Five-Year Limited Warranty

See website for detailed warranty information.

Available Colors/Finishes

Color tiles intended for reference only.

Color	Code	Description
	CP	Polished Chrome
	BAF	Brushed French Gold
	BN	Brushed Nickel
	BV	Brushed Bronze
	SN	Polished Nickel

1-888-4-KALLISTA (1-888-452-5547)

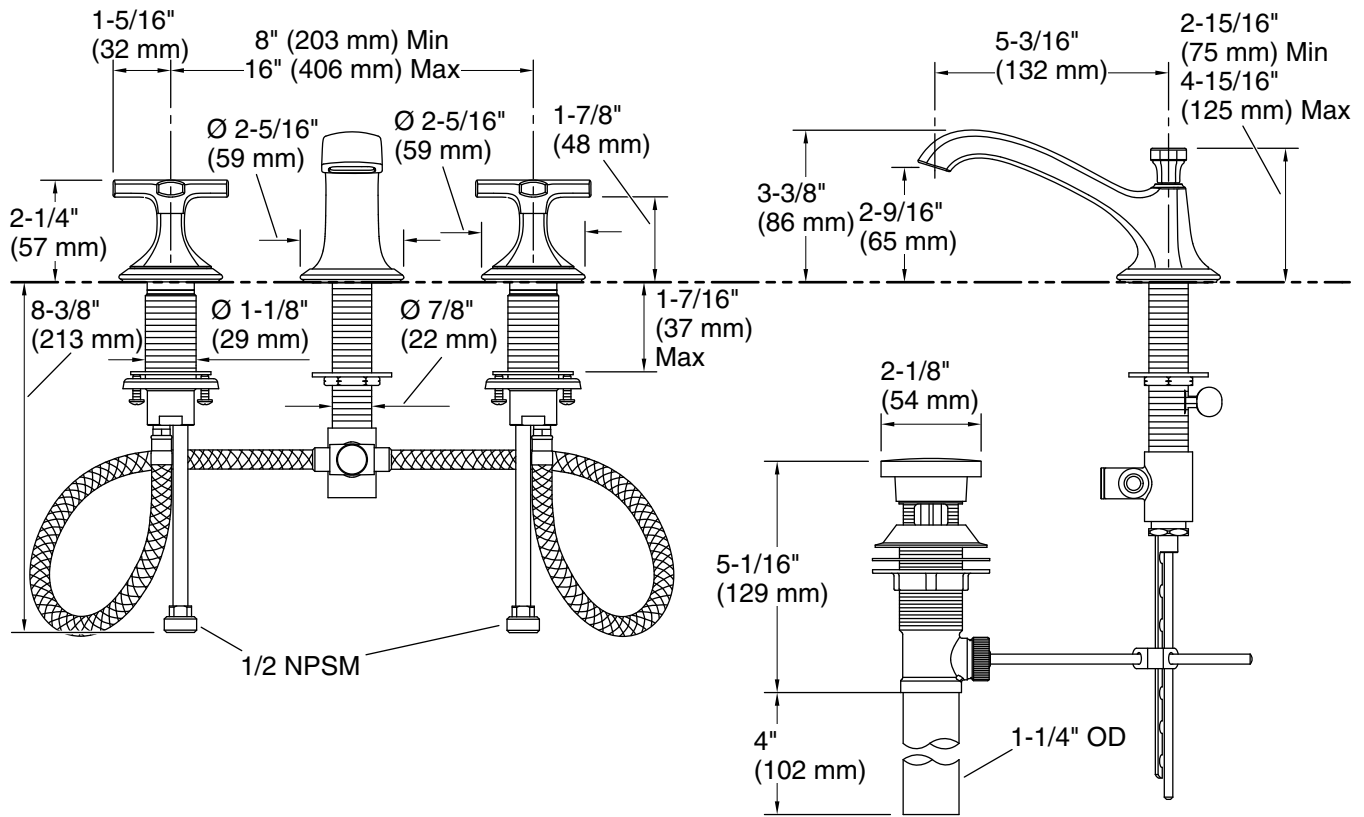
Kallista reserves the right to make revisions without notice to product specifications.

For the most current Specification Sheet, go to www.kallista.com.

2-15-2025 21:55 - US/CA

KALLISTA

Script® by KALLISTA
 Script Sink Faucet, Low Spout, Cross Handles
 P25006-CR



Technical Information

All product dimensions are nominal.

Faucet flow rate: 1.2 gal/min (4.5 l/min)

Drain included: Yes

Drain with overflow: Yes

Spout:

Spout reach: 5-3/16" (131 mm)

Pressure/fixture Supply Requirements

Min flow rate: 1.2 gpm (4.5 lpm)

Notes

ADA, OBC, CSA B651 compliant when installed to the specific requirements of these regulations.