

KALLISTA®

Script® by KALLISTA Wall-Mount Sink Faucet, Lever Handles P25011-LV

Features

- High-quality solid metal construction for durability and reliability
- Three-hole installation
- Required rough-in sold separately (P29304-00-NA)
- 1.2 gpm (4.5 lpm) maximum flow rate
- 6-5/16" (160 mm) spout reach
- Includes soft-touch drain
- Laminar flow

Required Products/Accessories

P29304-00 Rough-In

Adapters, Rough-in and Extension Kits

P29304-00 Range: 2-1/4" (57 mm) -
3-1/2" (89 mm)

Recommended Products/Accessories

P74241-WO Under-mount Sink, Soft Oval with Overflow,
Glazed
P25050-SLG Sink faucet, low spout, grey crystal knob
handles
P25013-00 Towel Ring
P25046-00 Hook



ADA

CSA B651

OBC

Codes/Standards

ASME A112.18.1/CSA B125.1
NSF/ANSI/CAN 61
NSF/ANSI/CAN 372
DOE - Energy Policy Act 1992
EPA WaterSense®
California Energy Commission (CEC)
ADA
ICC/ANSI A117.1
CSA B651
OBC

KALLISTA® Five-Year Limited Warranty

See website for detailed warranty
information.

Available Colors/Finishes

Color tiles intended for reference only.

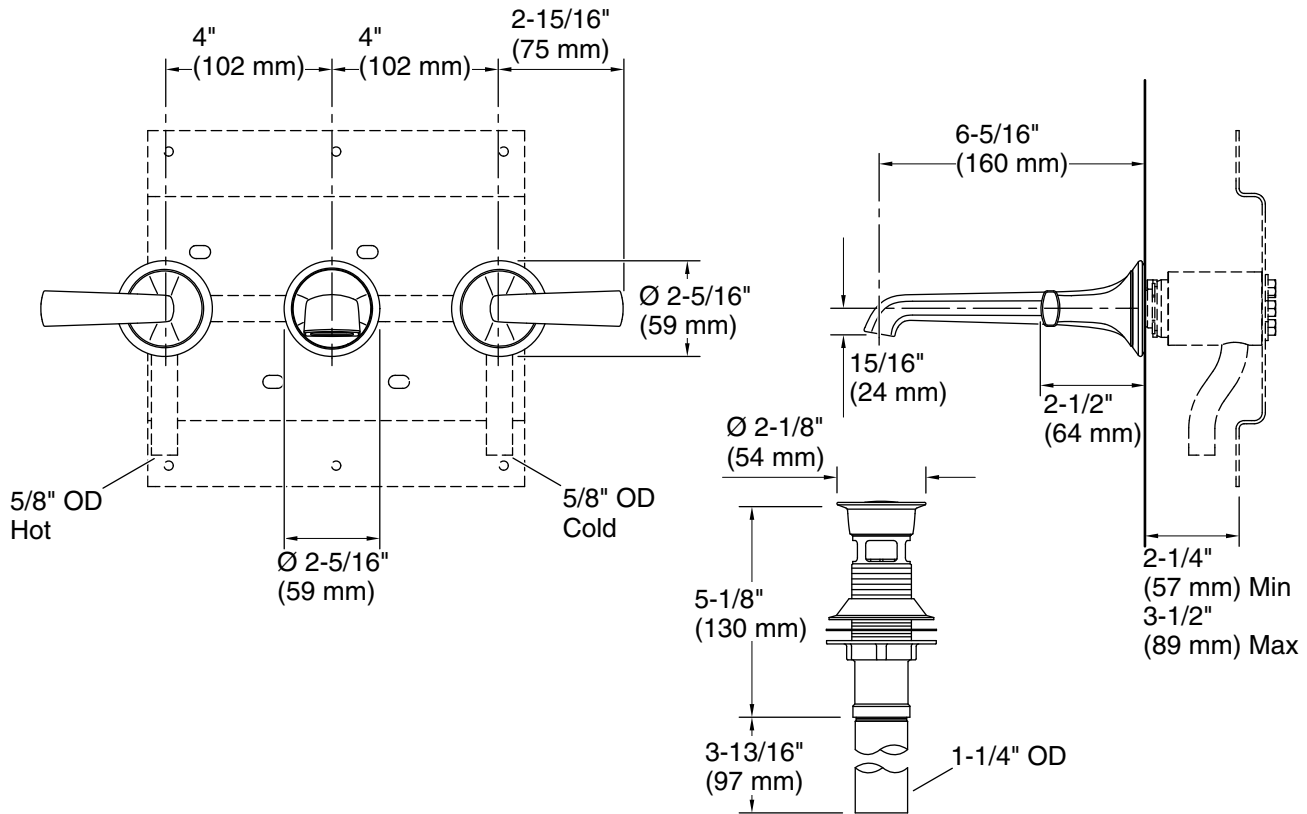
Color	Code	Description
	CP	Polished Chrome
	BAF	Brushed French Gold
	BN	Brushed Nickel
	BV	Brushed Bronze
	SN	Polished Nickel

1-888-4-KALLISTA (1-888-452-5547)

Kallista reserves the right to make revisions without notice to product specifications.

For the most current Specification Sheet, go to www.kallista.com.

2-15-2025 21:56 - US/CA



Technical Information

All product dimensions are nominal.

Faucet flow rate: 1.2 gal/min (4.5 l/min)

Drain included: Yes

Drain with overflow: Yes

Spout:

Spout reach: 6-5/16" (160 mm)

Pressure/fixture Supply Requirements

Min flow rate: 1.2 gpm (4.5 lpm)

Notes

Install this product according to the installation instructions.

ADA, OBC, CSA B651 compliant when installed to the specific requirements of these regulations.