

Features

- A selection of products within this collection is in stock and ready to ship. Please visit kallista.com/readytoship for the complete list of Ready-to-Ship products and finishes
- High-quality solid metal construction for durability and reliability
- Required rough-in sold separately
- Precise temperature setting capability
- Patented K-joint installation ensures consistent trim appearance



Required Products/Accessories

- P29511-WS 1/2" Thermostatic Mixing Valve
- or
- P29512-WS 3/4" Thermostatic Mixing Valve
- or
- P25023-LV Script Volume Control Trim, Lever Handle

Recommended Products/Accessories

- P25018-LV Script Pressure Balance Trim, Lever Handle
- P25024-LV Transfer Trim, Lever Handle
- P25040-00 Showerhead with Arm
- P25043-00 Towel Bar, 18"

ADA **CSA B651** **OBC**

Codes/Standards

ASME A112.18.1/CSA B125.1
 ADA
 ICC/ANSI A117.1
 CSA B651
 OBC

KALLISTA® Five-Year Limited Warranty

See website for detailed warranty information.

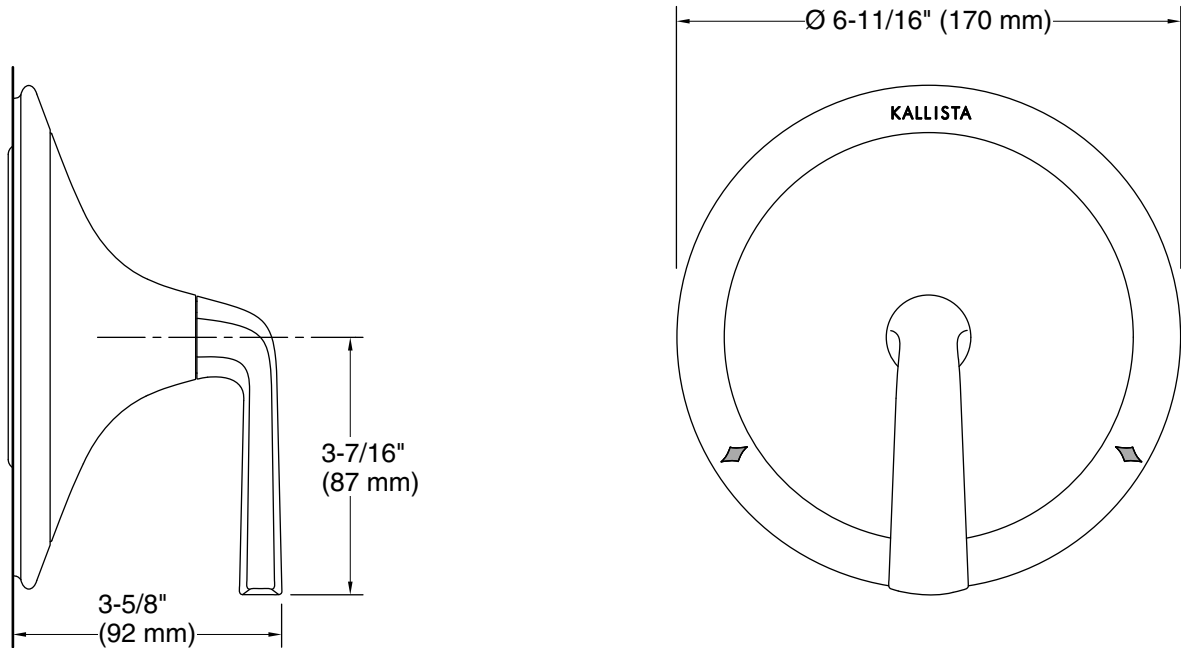
Available Colors/Finishes

Color tiles intended for reference only.

Color	Code	Description
	CP	Polished Chrome
	BAF	Brushed French Gold
	BN	Brushed Nickel
	BV	Brushed Bronze
	SN	Polished Nickel

KALLISTA®

Script® by KALLISTA
Script Thermostatic Trim, Lever Handle
P25022-LV



Technical Information
All product dimensions are nominal.

Notes
ADA, OBC, CSA B651 compliant when installed to the specific requirements of these regulations.