

Features

- High-quality solid metal construction for durability and reliability
- Required rough-in sold separately
- Offers a customizable shower experience

Required Products/Accessories

- P29527-00 1/2" Volume Control Rough-In Assembly
or
P29528-00 3/4" Volume Control Rough-In Assembly

Recommended Products/Accessories

- P25022-CR Script Thermostatic Trim, Cross Handle
P25024-CR Transfer Trim, Cross Handle
P25041-00 Towel Bar, 24"
P21510-G Air-Induction ECO Small Traditional Rain Showerhead



ADA

CSA B651

OBC

Codes/Standards

ASME A112.18.1/CSA B125.1
ADA
ICC/ANSI A117.1
CSA B651
OBC

KALLISTA® Five-Year Limited Warranty

See website for detailed warranty information.

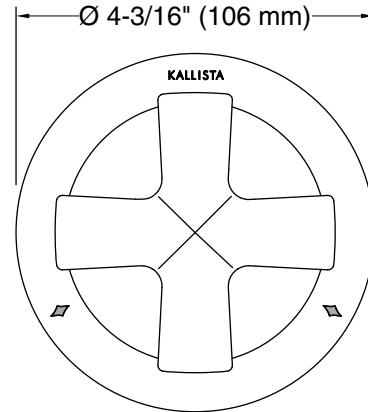
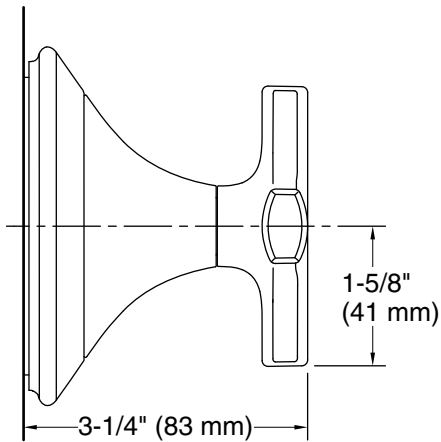
Available Colors/Finishes

Color tiles intended for reference only.

Color	Code	Description
	CP	Polished Chrome
	BAF	Brushed French Gold
	BN	Brushed Nickel
	BV	Brushed Bronze
	SN	Polished Nickel

KALLISTA®

Script® by KALLISTA
Script Volume Control Trim, Cross Handle
P25023-CR



Technical Information
All product dimensions are nominal.

Notes
ADA, OBC, CSA B651 compliant when installed to the specific requirements of these regulations.