

Features

- A selection of products within this collection is in stock and ready to ship. Please visit kallista.com/readytoship for the complete list of Ready-to-Ship products and finishes
- High-quality solid metal construction for durability and reliability
- Required rough-in sold separately
- Offers a customizable shower experience



Required Products/Accessories

P29527-00 1/2" Volume Control Rough-In Assembly

or

P29528-00 3/4" Volume Control Rough-In Assembly

Recommended Products/Accessories

P25022-LV Script Thermostatic Trim, Lever Handle

P25024-LV Transfer Trim, Lever Handle

P25043-00 Towel Bar, 18"

P21511-00 Air-Induction Large Traditional Rain Showerhead

ADA

CSA B651

OBC

Codes/Standards

ASME A112.18.1/CSA B125.1

ADA

ICC/ANSI A117.1

CSA B651

OBC

KALLISTA® Five-Year Limited Warranty

See website for detailed warranty information.

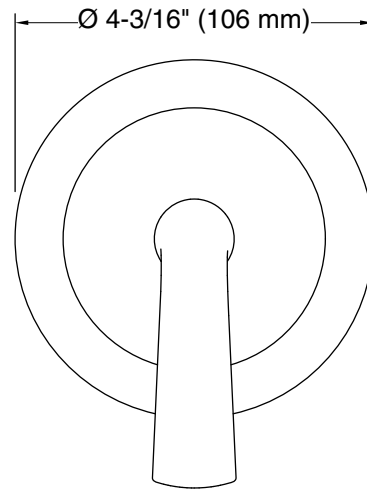
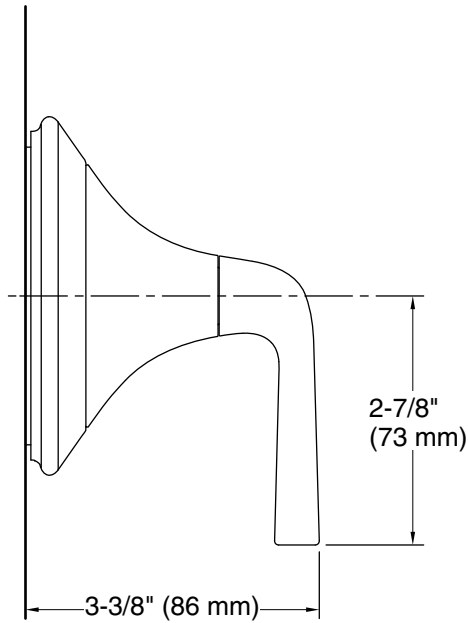
Available Colors/Finishes

Color tiles intended for reference only.

Color	Code	Description
	CP	Polished Chrome
	BAF	Brushed French Gold
	BN	Brushed Nickel
	BV	Brushed Bronze
	SN	Polished Nickel

KALLISTA®

Script® by KALLISTA
Script Volume Control Trim, Lever Handle
P25023-LV



Technical Information
All product dimensions are nominal.

Notes
ADA, OBC, CSA B651 compliant when installed to the specific requirements of these regulations.