

KALLISTA®

Script® by KALLISTA
Transfer Trim, Cross Handle
P25024-CR

Features

- High-quality solid metal construction for durability and reliability
- Required rough-in sold separately
- Allows for directed water flow

Required Products/Accessories

P29513-00 Transfer Valve

or

P29514-00 Transfer Valve, Eco

Recommended Products/Accessories

P25018-LV Script Pressure Balance Trim, Lever Handle

P25014-00 Wall-Mount Bath Spout

P21510-G Air-Induction ECO Small Traditional Rain Showerhead

P22076-H Body Spray



ADA

CSA B651

OBC

Codes/Standards

ASME A112.18.1/CSA B125.1

ADA

ICC/ANSI A117.1

CSA B651

OBC

KALLISTA® Five-Year Limited Warranty

See website for detailed warranty information.

Available Colors/Finishes

Color tiles intended for reference only.

Color	Code	Description
	CP	Polished Chrome
	BAF	Brushed French Gold
	BN	Brushed Nickel
	BV	Brushed Bronze
	SN	Polished Nickel

1-888-4-KALLISTA (1-888-452-5547)

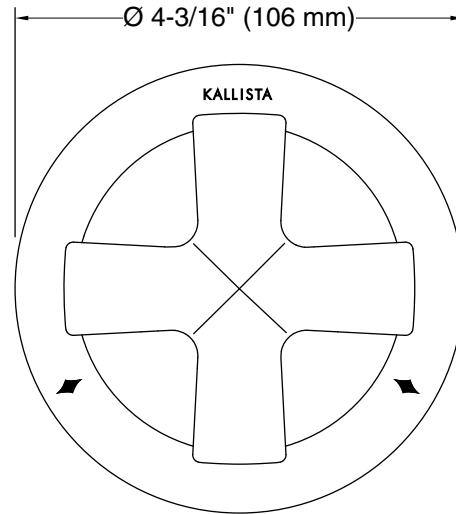
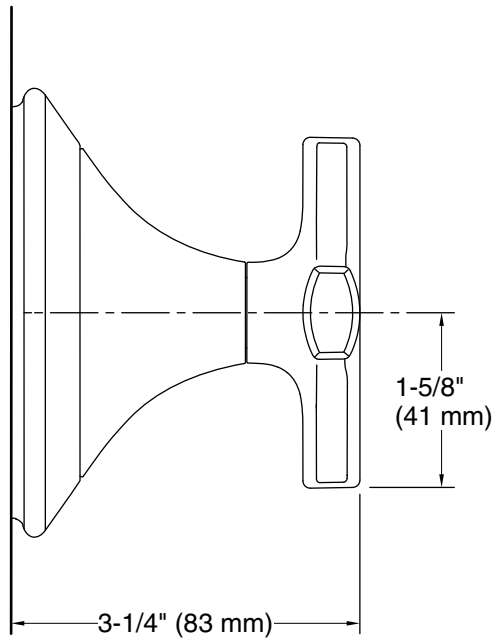
Kallista reserves the right to make revisions without notice to product specifications.

For the most current Specification Sheet, go to www.kallista.com.

3-27-2025 22:07 - US/CA

KALLISTA®

Script® by KALLISTA
Transfer Trim, Cross Handle
P25024-CR



Technical Information
All product dimensions are nominal.

Notes
ADA, OBC, CSA B651 compliant when installed to the specific requirements of these regulations.