

KALLISTA®

Script® by KALLISTA Showerhead with Arm P25040-00

Features

- A selection of products within this collection is in stock and ready to ship. Please visit kallista.com/readytoship for the complete list of Ready-to-Ship products and finishes
- High-quality solid-brass construction for durability and reliability
- Single-function spray
- Easy-to-clean sprayface resists mineral buildup
- 1.75 gpm (6.6 lpm) maximum flow rate
- Wall-mount installation

Recommended Products/Accessories

- P21652-00 Fixed Wall Bracket with Integrated Supply Elbow
- P21486-00
- P21487-00
- P24761-00 Handshower with Hose
- P25018-LV Script Pressure Balance Trim, Lever Handle
- P22076-00 Body Spray
- P21511-00 Air-Induction Large Traditional Rain Showerhead



Codes/Standards

- ASME A112.18.1/CSA B125.1
- DOE - Energy Policy Act 1992
- EPA WaterSense®
- California Energy Commission (CEC)

KALLISTA® Five-Year Limited Warranty

See website for detailed warranty information.

Available Colors/Finishes

Color tiles intended for reference only.

Color	Code	Description
	CP	Polished Chrome
	BAF	Brushed French Gold
	BN	Brushed Nickel
	BV	Brushed Bronze
	SN	Polished Nickel

1-888-4-KALLISTA (1-888-452-5547)

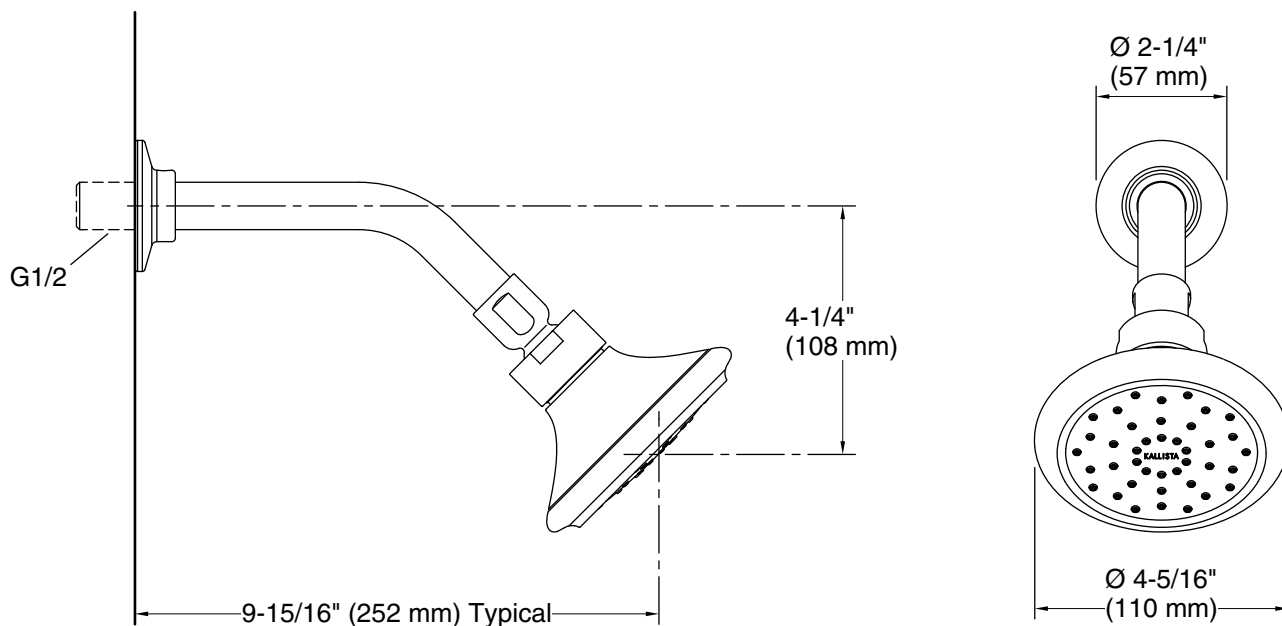
Kallista reserves the right to make revisions without notice to product specifications.

For the most current Specification Sheet, go to www.kallista.com.

3-15-2025 20:05 - US/CA

KALLISTA

Script® by KALLISTA
Showerhead with Arm
P25040-00



Technical Information

All product dimensions are nominal.

Shower/Rainhead rated max flow: 1.75 gal/min (6.6 l/min)

Notes

For use with automatic compensating valves rated at 2.5 gal/min (9.5 l/min) or less.