

KALLISTA®

Script® Decorative by KALLISTA Sink faucet, arch spout, Frost enamel lever handles P25055-FRW

Features

- Handcrafted fired enamel handle insert with Wave pattern
- High-quality solid metal construction for durability and reliability
- Widespread sink faucet for 8" – 16" (203 – 406 mm) centers
- Spout reach is 6-9/16" (167 mm)
- Includes soft-touch drain
- 1.2 gpm (4.5 lpm) maximum flow rate
- Aerated flow

Recommended Products/Accessories

P74241-WO Under-mount Sink, Soft Oval with Overflow, Glazed
P25050-SLC Sink faucet, low spout, clear crystal knob handles
P25013-00 Towel Ring
P25046-00 Hook



ADA **CSA B651** **OBC**

Codes/Standards

ASME A112.18.1/CSA B125.1
NSF/ANSI/CAN 61
NSF/ANSI/CAN 372
DOE - Energy Policy Act 1992
EPA WaterSense®
California Energy Commission (CEC)
ADA
ICC/ANSI A117.1
CSA B651
OBC

KALLISTA® Five-Year Limited Warranty

See website for detailed warranty information.

Available Colors/Finishes

Color tiles intended for reference only.

Color	Code	Description
	CP	Polished Chrome
	BAF	Brushed French Gold
	BN	Brushed Nickel
	BV	Brushed Bronze
	SN	Polished Nickel

1-888-4-KALLISTA (1-888-452-5547)

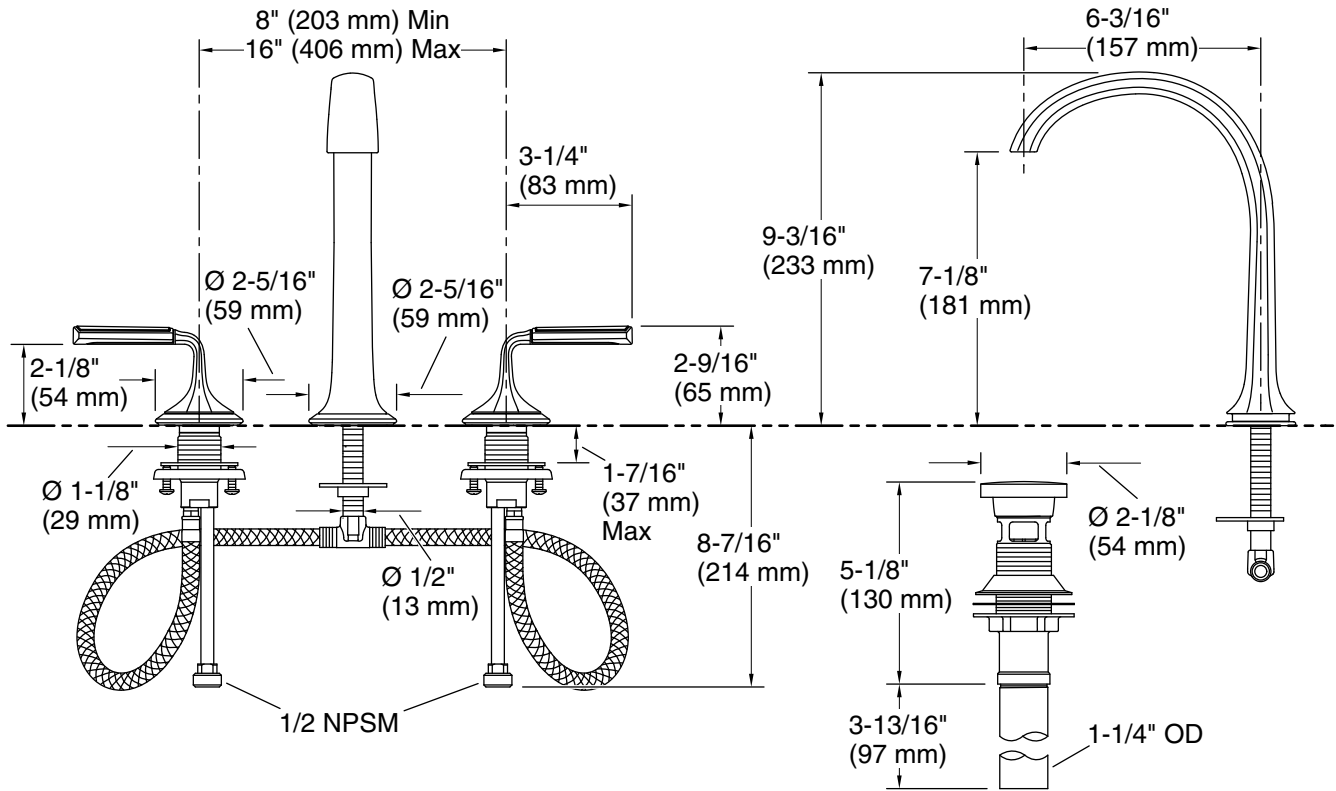
Kallista reserves the right to make revisions without notice to product specifications.

For the most current Specification Sheet, go to www.kallista.com.

2-15-2025 21:53 - US/CA

KALLISTA

Script® Decorative by KALLISTA
Sink faucet, arch spout, Frost enamel lever
handles
P25055-FRW



Technical Information

All product dimensions are nominal.

Faucet flow rate: 1.2 gal/min (4.5 l/min)

Drain included: Yes

Drain with overflow: Yes

Spout:

Spout reach: 6-3/16" (157 mm)

Notes

Install this product according to the installation instructions.

ADA, OBC, CSA B651 compliant when installed to the specific requirements of these regulations.

1-888-4-KALLISTA (1-888-452-5547)

Kallista reserves the right to make revisions without notice to product specifications.

For the most current Specification Sheet, go to www.kallista.com.

2-15-2025 21:53 - US/CA