

# KALLISTA

Central Park West® by Robert A.M. Stern  
Architects

Single-control sink faucet  
P26622-00

## Features

- A selection of products within this collection is in stock and ready to ship. Please visit [kallista.com/readytoship](http://kallista.com/readytoship) for the complete list of Ready-to-Ship products and finishes
- High-quality solid-brass construction for durability and reliability
- Spout reach is 5-3/4" (146 mm)
- 9-15/16" (252 mm) faucet height
- Includes metal pop-up drain with 1-1/4" metal tailpiece
- Single-hole installation
- 1.2 gpm (4.5 lpm) maximum flow rate

## Recommended Products/Accessories

P74234-WO Under-mount Sink, Soft Rectangle with Overflow, Glazed  
P31427-00 Toilet Paper Holder  
P31426-00 Hook  
P31422-00 Towel Ring  
P31425-00 Towel Bar, 24"  
P31424-00 Towel Bar, 18"



## Codes/Standards

ASME A112.18.1/CSA B125.1  
NSF/ANSI/CAN 61  
NSF/ANSI/CAN 372  
DOE - Energy Policy Act 1992  
EPA WaterSense®  
California Energy Commission (CEC)

## KALLISTA® Five-Year Limited Warranty

See website for detailed warranty information.

## Available Colors/Finishes

*Color tiles intended for reference only.*

Color	Code	Description
	CP	Polished Chrome
	ULB	Unlacquered Brass
	BAF	Brushed French Gold
	BV	Brushed Bronze
	SN	Polished Nickel
	BN	Brushed Nickel

1-888-4-KALLISTA (1-888-452-5547)

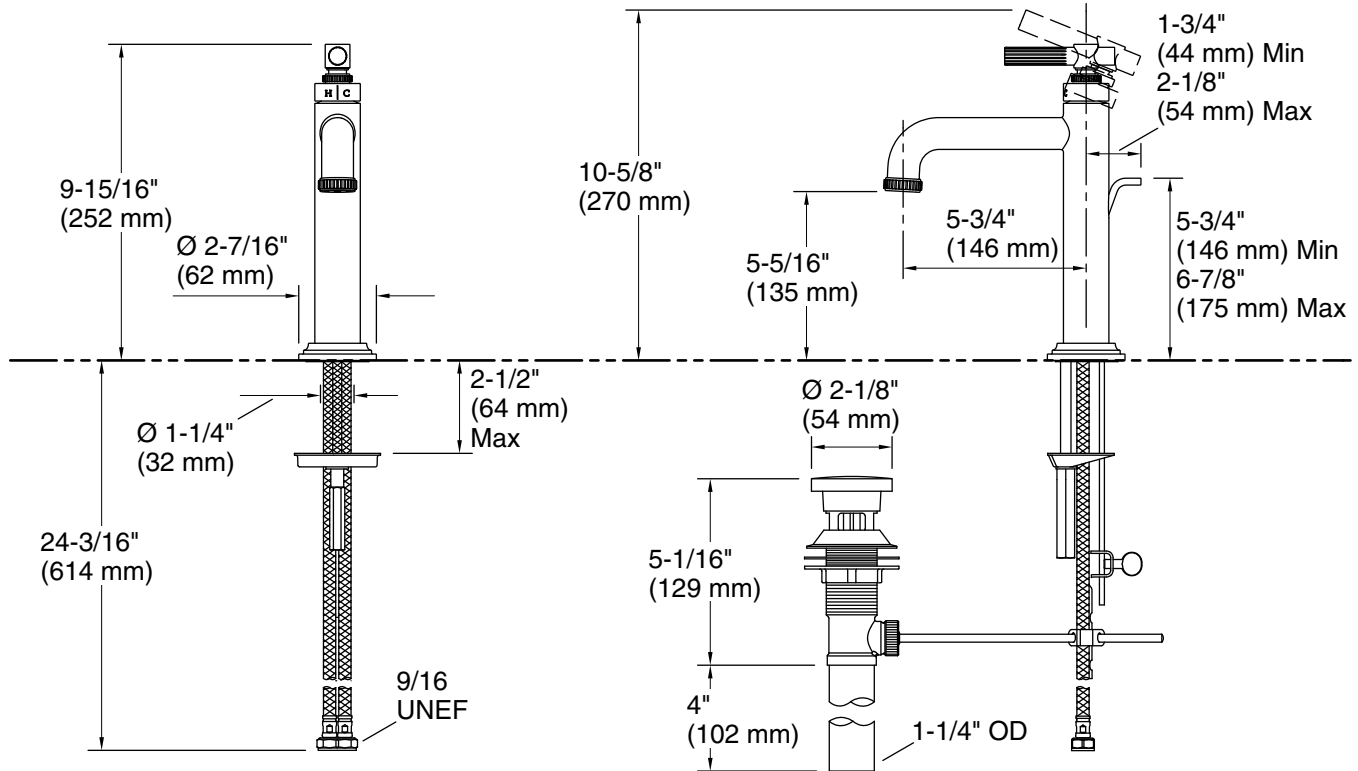
Kallista reserves the right to make revisions without notice to product specifications.

For the most current Specification Sheet, go to [www.kallista.com](http://www.kallista.com).

2-16-2025 19:56 - US

# KALLISTA

Central Park West® by Robert A.M. Stern  
Architects  
Single-control sink faucet  
P26622-00



## Technical Information

All product dimensions are nominal.

Faucet flow rate: 1.2 gal/min (4.5 l/min)

Drain included: Yes

Drain with overflow: Yes

Spout:

Spout reach: 5-3/4" (146 mm)

## Notes

Install this product according to the installation guide.

ADA, CSA B651 compliant when installed to the specific requirements of these regulations.