

KALLISTA®

One™ by KALLISTA
 Wall-mount single-control sink faucet, elongated
 spout
 P26675-00

Features

- High-quality solid-brass construction for durability and reliability
- 11-5/16" (287 mm) spout reach
- Laminar flow
- Includes soft-touch drain
- Wall-mount installation
- 1.2 gpm (4.5 lpm) maximum flow rate
- Valve sold separately

Adapters, Rough-in and Extension Kits

P41299-00 Range: 2-5/8" (67 mm) -
 3-1/8" (79 mm)

Recommended Products/Accessories

P74234-WO Under-mount Sink, Soft Rectangle with
 Overflow, Glazed
 P34401-00 Towel Bar, 24"
 P34407-00 Disc Hook



ADA **CSA B651** **OBC**

Codes/Standards

ASME A112.18.1/CSA B125.1
 NSF/ANSI/CAN 61
 NSF/ANSI/CAN 372
 DOE - Energy Policy Act 1992
 EPA WaterSense®
 California Energy Commission (CEC)
 ADA
 ICC/ANSI A117.1
 CSA B651
 OBC

KALLISTA® Five-Year Limited Warranty

See website for detailed warranty
 information.

Available Colors/Finishes

Color tiles intended for reference only.

Color	Code	Description
	CP	Polished Chrome
	BL	Matte Black
	ULB	Unlacquered Brass
	BAF	Brushed French Gold
	BN	Brushed Nickel
	SN	Polished Nickel

1-888-4-KALLISTA (1-888-452-5547)

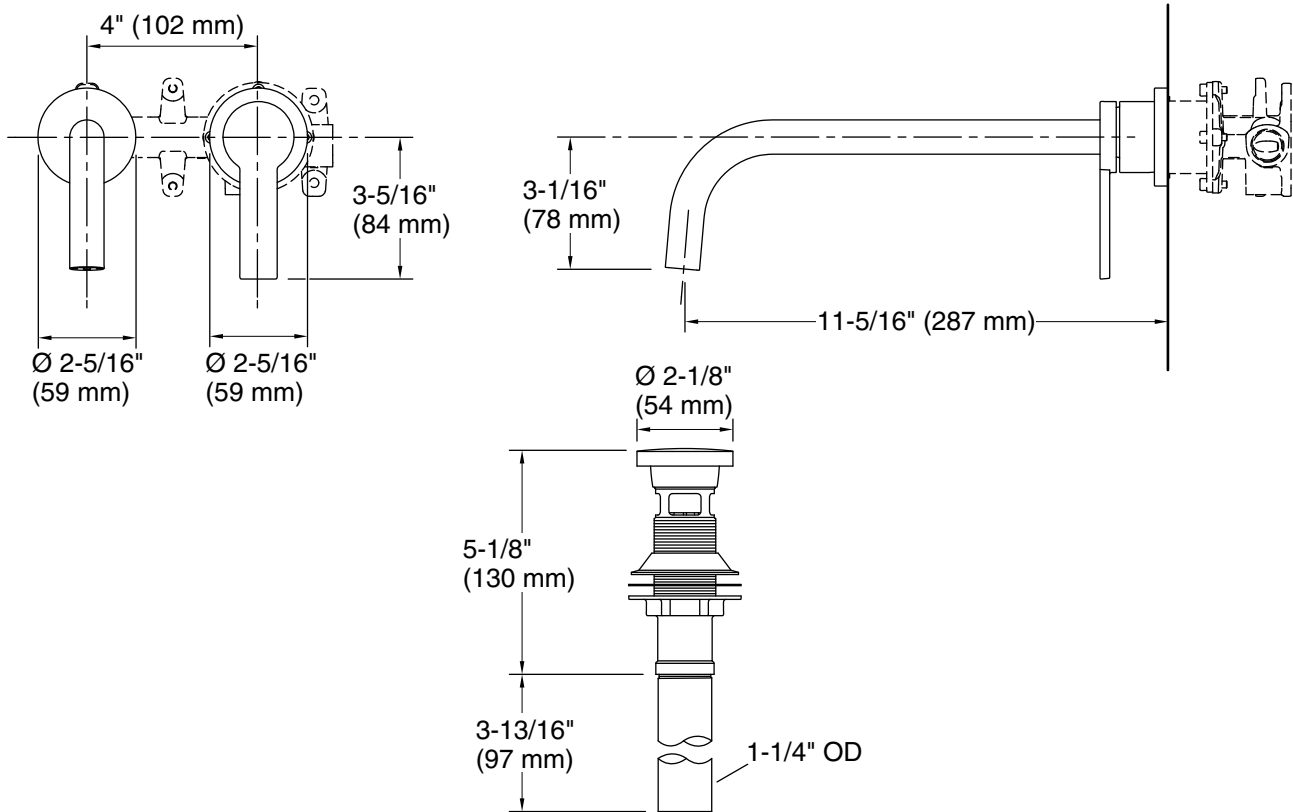
Kallista reserves the right to make revisions without notice to product specifications.

For the most current Specification Sheet, go to www.kallista.com.

2-15-2025 21:57 - US/CA

KALLISTA

One™ by KALLISTA
Wall-mount single-control sink faucet, elongated
spout
P26675-00



Technical Information

All product dimensions are nominal.

Faucet flow rate: 1.2 gal/min (4.5 l/min)

Drain included: Yes

Drain with
overflow: Yes

Spout:

Spout reach: 11-5/16" (287 mm)

Notes

Install this product according to the installation guide.

ADA, OBC, CSA B651 compliant when installed to the specific requirements of these regulations.

ADA, OBC, CSA B651 compliant when installed to the specific requirements of these regulations.