

KALLISTA®

KALLISTA Wall-Mount Bath Faucet Rough-In Assembly Valve P28814-00

Features

- Wall-mount installation
- Brass valve body
- 1/2" NPT connection

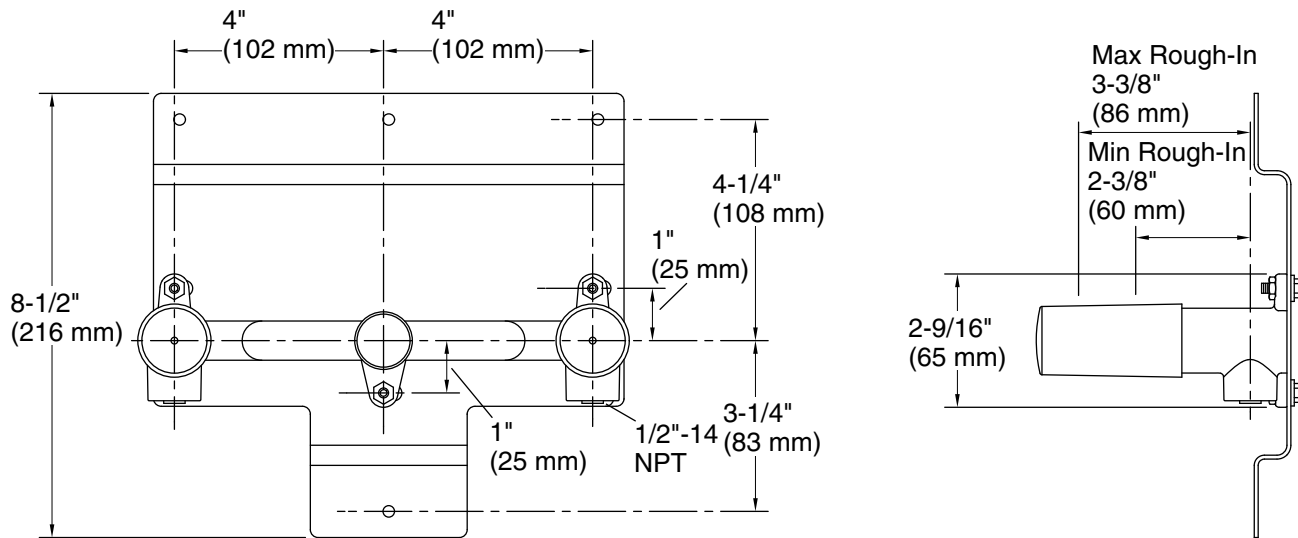


Codes/Standards

ASME A112.18.1/CSA B125.1

KALLISTA® Five-Year Limited Warranty

See website for detailed warranty
information.



Technical Information

All product dimensions are nominal.

Notes

Install this product according to the installation instructions.