

KALLISTA®

Foundations by Laura Kirar Wall-mount kitchen pot filler P28961-00

Features

- High-quality solid metal construction for durability and reliability
- Wall-mount installation
- Extensive 22" (559 mm) reach capability

Recommended Products/Accessories

- L20309-00 Stainless Steel Kitchen Sink with Deluxe Accessories (Qty 2)
- P25517-00 Pull-Down Kitchen Faucet (Qty 2)
- P25516-00 Pull-Down Kitchen Faucet
- P80270-00 Single-handle bar sink faucet



Codes/Standards




ASME A112.18.1/CSA B125.1
NSF/ANSI/CAN 61
NSF/ANSI/CAN 372

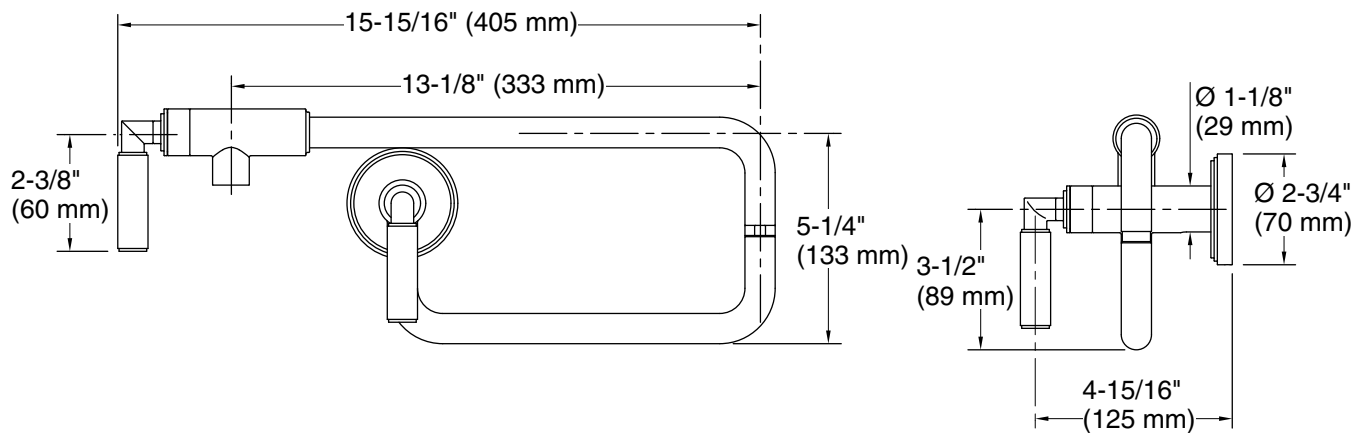
KALLISTA® Five-Year Limited Warranty

See website for detailed warranty information.

Available Colors/Finishes

Color tiles intended for reference only.

Color	Code	Description
	CP	Polished Chrome
	SN	Polished Nickel
	VS	Stainless



Technical Information

All product dimensions are nominal.

Faucet flow rate: 3.2 gal/min (12.1 l/min)

Drain included: No

Notes

Install this product according to the installation instructions.