

Features

- Brass valve bodies
- One-piece diaphragm cartridge design for ease of maintenance
- High-temperature limit setting for added safety
- Integral shut-off valve stops
- Wall-mount installation

Recommended Products/Accessories

P22715-LX Pressure Balance Trim, Lever Handle
P24415-LV Pressure balance trim, lever handle
P24615-LV Pressure Balance Trim, Lever Handle
P29513-00 Transfer Valve
P29514-00 Transfer Valve, Eco

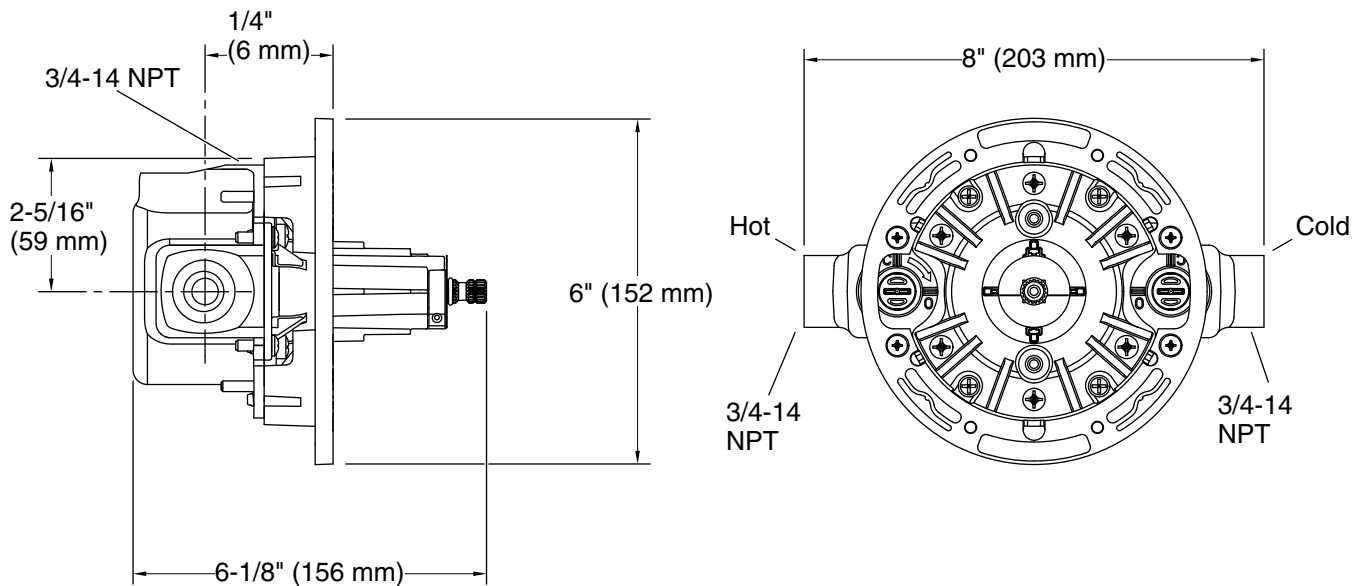


Codes/Standards

ASME A112.18.1/CSA B125.1
ASSE 1016

KALLISTA® Five-Year Limited Warranty

See website for detailed warranty
information.



Technical Information

All product dimensions are nominal.