

KALLISTA®

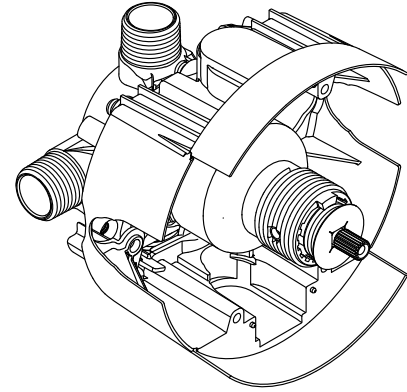
Foundations by KALLISTA
Thermostatic rough-in with integrated volume
control
P29500-00

Features

- Brass valve body
- One-piece diaphragm cartridge design for ease of maintenance
- Single-lever design cycles from off through cold to hot with integrated volume control
- Thermostatic technology automatically maintains outlet temperature during water pressure fluctuations and/or inlet water temperature changes
- Features a high-temperature-limit stop to help prevent scalding
- 9 gpm (34 l/min) maximum flow rate at 45 psi

Optional Products/Accessories

- K-10350 Deep rough-in kit
- K-10351 Test cap for K-8300 Series valve bodies

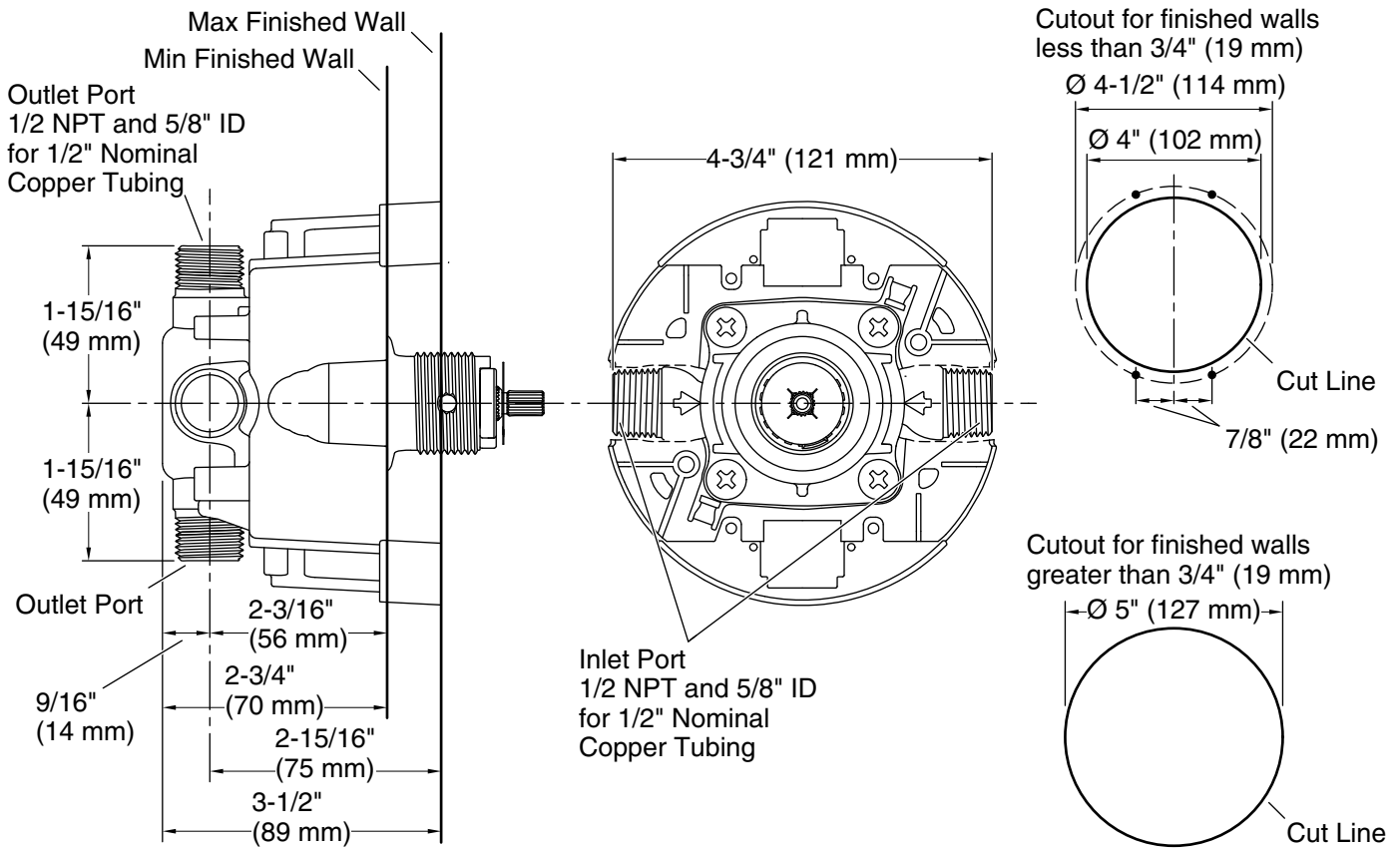


Codes/Standards

- ASME A112.18.1/CSA B125.1
- ASSE 1016/ASME A112.1016/CSA B125.16

KALLISTA® Five-Year Limited Warranty

See website for detailed warranty
information.



Technical Information

All product dimensions are nominal.

Shower Valve:

Flow Rate (Max) @ 45 psi	9 gal/min (34.1 l/min)
Manufacturer's minimum rated flow:	1.5 gal/min (5.7 l/min)
Pressure:	45 psi (3.1 bar)
Maximum (Static) Pressure:	125 psi (8.6 bar)
Minimum (Operating) Pressure:	20 psi (1.4 bar)